



# Tumble dryer

## T5350

### Features and benefits

- High productivity – 2 full loads per hour
- Low energy consumption for optimal efficiency
- Large door opening for easy loading and unloading
- Large selfcleaning lint screen for easy maintenance
- Reversible door hanging for a convenient laundry flow
- Easy access to vital parts from front and rear for simple servicing
- With Compass Pro program control
  - Large display and one control knob for easy program selection
  - Language selection
  - Quick selection and option buttons for the most frequently used drying programs and options
  - Drying program packages optimized for Economy, Care and Time and option buttons for selection of dryness
  - Service program for adjustment of parameters
  - USB connection
- The coin version with Ecopower to avoid over drying of the garments and get a lower energy consumption

### Main options

- Stainless steel front
- Stainless steel drum
- Residual Moisture Control – RMC
- Reversing drum
- Payment: coinmeter with Ecopower, chipcard reader, CP connection
- Special versions (dryer + option package): Lagoon® variant includes stainless steel front, stainless steel drum, RMC and reversing drum
- Fresh air intake
- Supply disconnecter
- CMIS (Certus Management Information System)



Images shown are a representation of the product only and variations may occur.

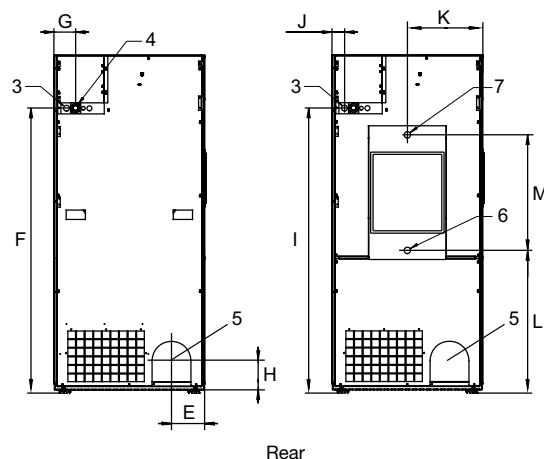
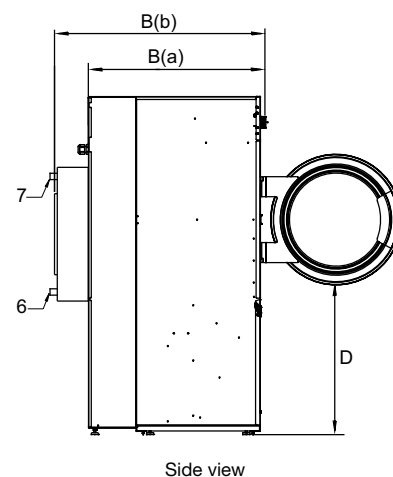
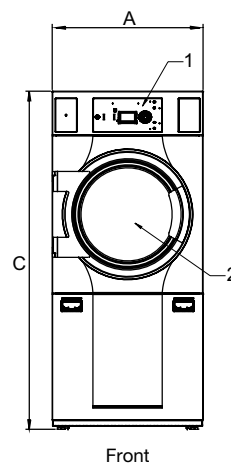
Main specifications		T5350			
Rated capacity, filling factor 1:18	kg/lb	19.4/42.8			
	filling factor 1:22	15.5/34.2			
Drum volume	litre	349			
Drum diameter	mm	760			
Heating,	electric	13.5/18			
	gas	71700 (21)			
	steam at 800 kPa	25			
<b>Consumption data*</b>		13.5 kW	18 kW	Gas	Steam
Total time full load	min	38	27	24	22
Energy consumption full load	kWh	8.2	7.7	8.4	11.7
Evaporation	g/min	211	289	342	359
Energy kWh/litre water evaporated	kWh/l	1.02	0.99	1.03	1.48

\* At rated capacity 100% cotton load at 50% initial moisture dried to 0%.



Electrical connections*					
Heating alternative	Main voltage		Heating power kW	Total power kW	Recommended fuse A
		Hz			
Electric heated	220-240V 3 ~	50/60	13.5/18.0	14.6/19.1	50
	380-415V 3N ~	50/60	13.5/18.0	14.6/19.1	25/35
	440V 3 ~	60	13.5/18.0	14.6/19.1	25/35
	480V 3 ~	60	13.5/18.0	14.6/19.1	20/25
Gas heated/ Steam heated	220-240V 3 ~	50/60	13.5/18.0	1.1	10
	380-415V 3N ~	50/60	13.5/18.0	1.1	10
	440V 3 ~	60	13.5/18.0	1.1	10
	480V 3 ~	60	13.5/18.0	1.1	10

Steam, gas and air connections			T5350	
Steam	ISO 7/1-R		1"	
Steam pressure		kPa	100-1000	
Steam consumption		kg/h	65	
Condensate	ISO 7/1-R		1"	
Gas	ISO 7/1-R		1/2"	
Gas pressure	Natural gas	Pa	2000	
		mbar	20	
	Propane	Pa	2800-5000	
		mbar	28-50	
Air outlet		ø mm	200	
Evacuated air,	el 13.5 kW		600	
		el 18 kW	1000	
		gas 21 kW	1000	
		steam	1000	
Pressure drop	el 13.5 kW	Max. Pa	520	
			gas 13.5 kW	520
			el 18 kW/gas 21 kW/steam	270
Sound levels				
Airborne sound level		dB(A)	<70	
Heat emission				
% of installed power, max			15	
Shipping data**				
Weight		net, kg	177	
Shipping volume		crated, m <sup>3</sup>	1.96	
Dimensions in mm				
A	Width		790	
B(a)	Depth, el and gas		1177	
B(b)	Depth, steam		1320	
C	Height		1770	
D			790	
E			155	
F			1505	
G			100	
H			170	
I			1505	
J			80	
K			395	
L			755	
M			585	
1	Operating panel			
2	Door opening ø 580 mm			
3	Electrical connection			
4	Gas connection			
5	Exhaust connection			
6	Steam: in			
7	Steam: out			



\* Other voltages available, see installation manual.

\*\* Average data. Crated weight/shipping volume depends on configuration. Please contact logistics for exact measures.