

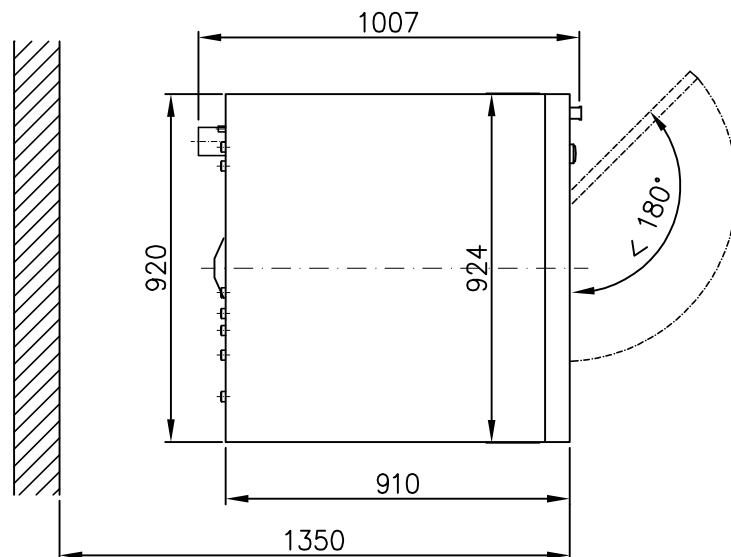
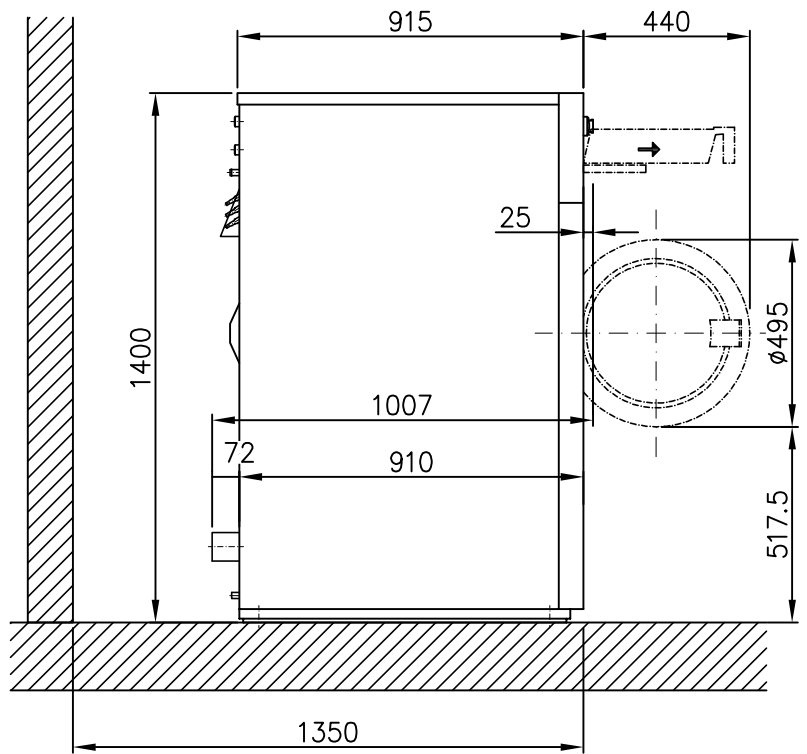
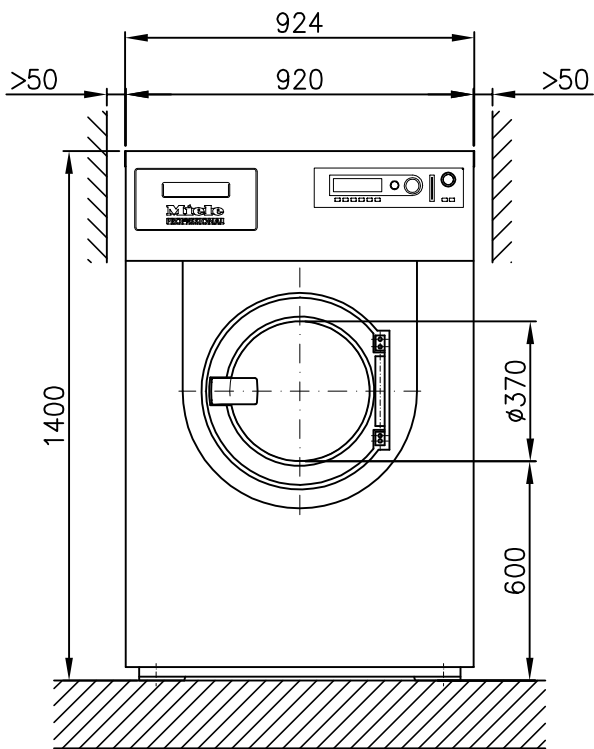
Installation plan  
**Washer-extractor**



PW 6167 EL

en - GB

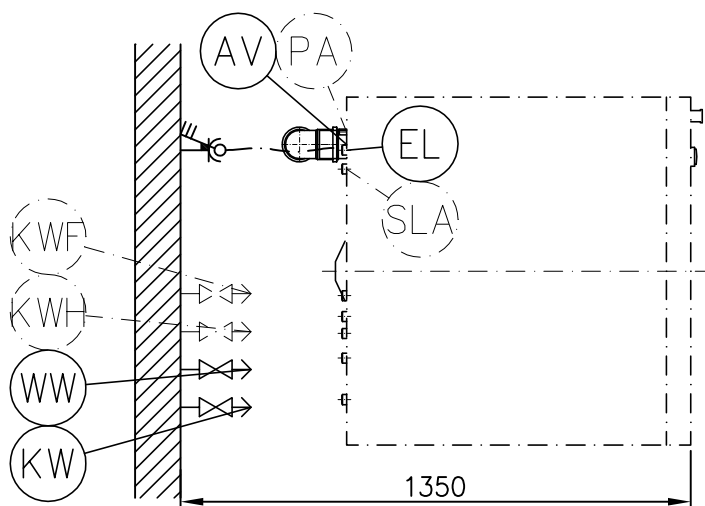
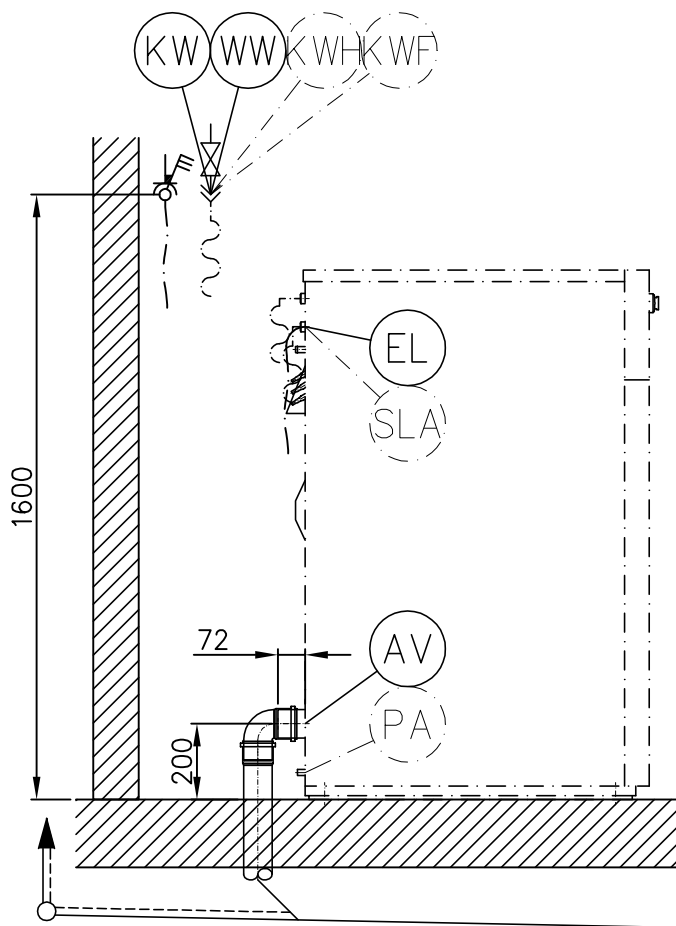
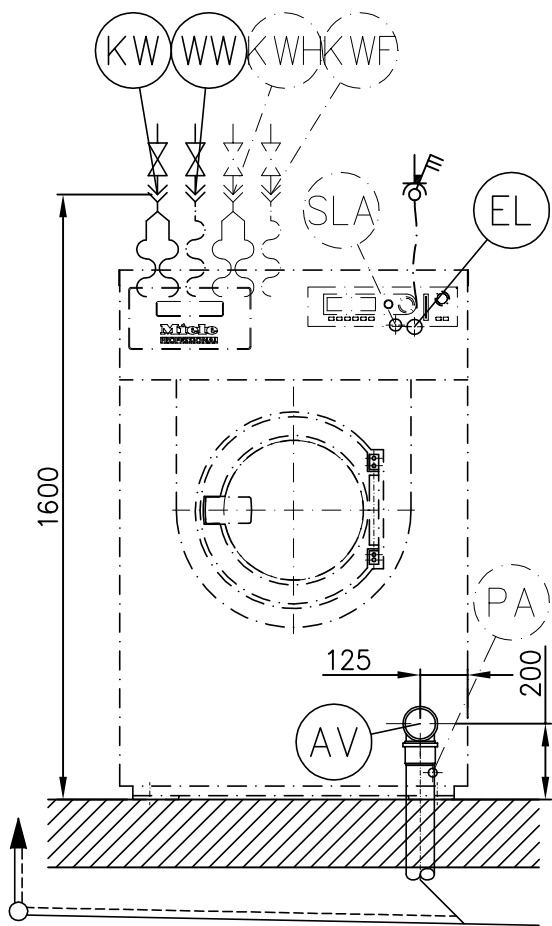


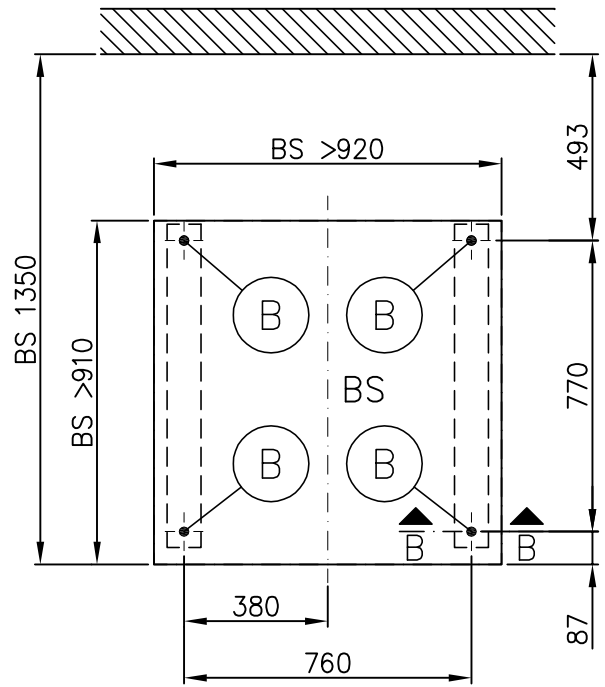
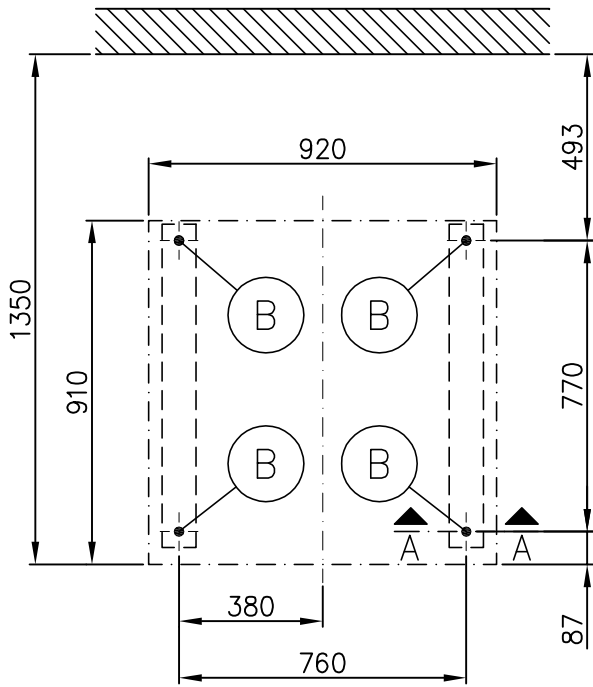
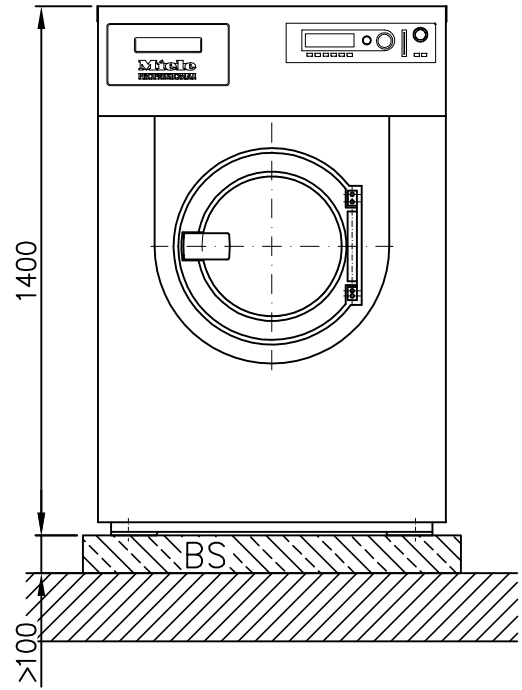
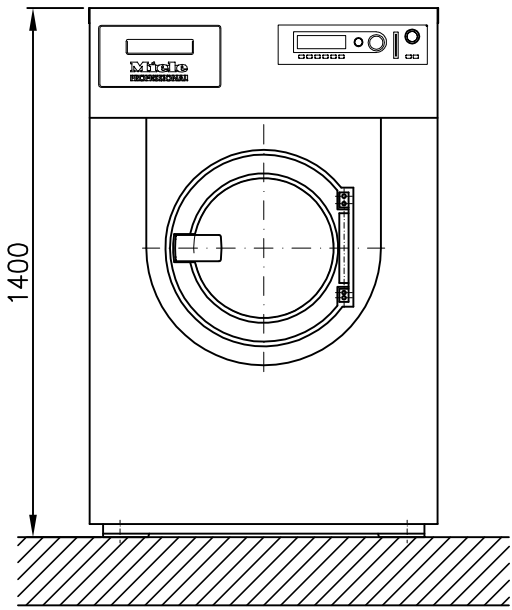


**Miele**  
PROFESSIONAL

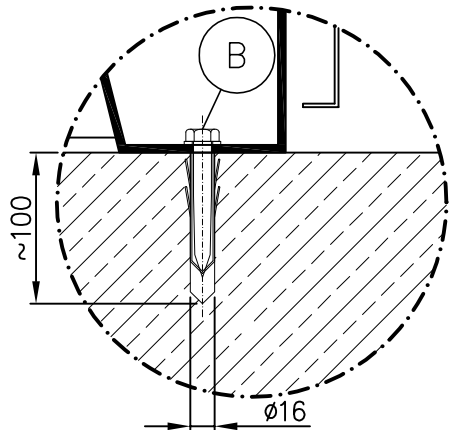
Installationsplan / Installation plan  
Waschmaschine / Washer  
PW 6167 EL

Date	19.07.2011
Page	3
Name	DEBOHD

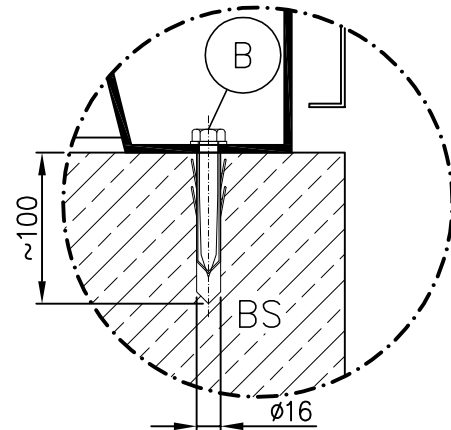


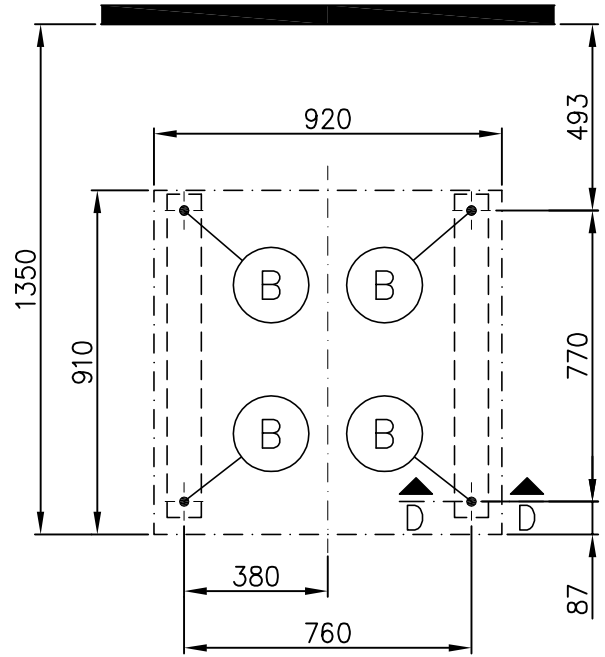
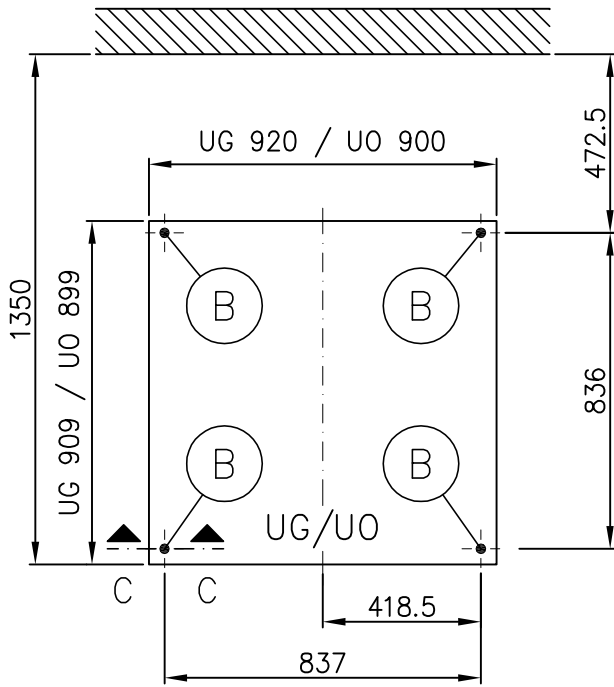
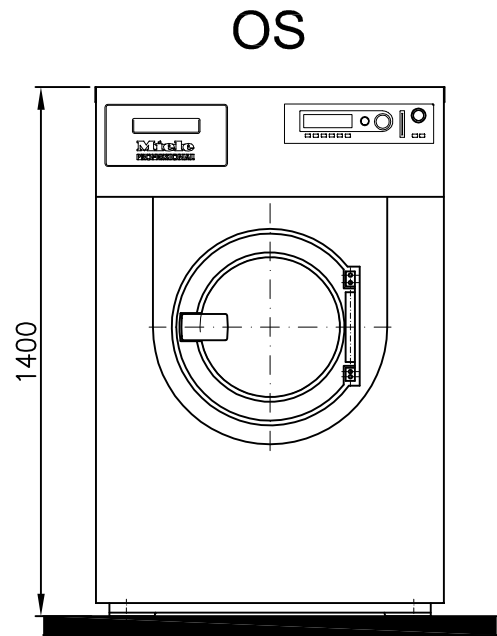
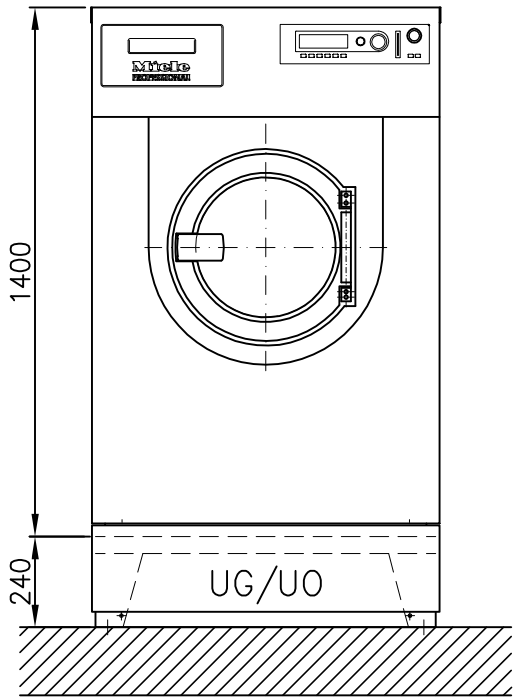


A - A

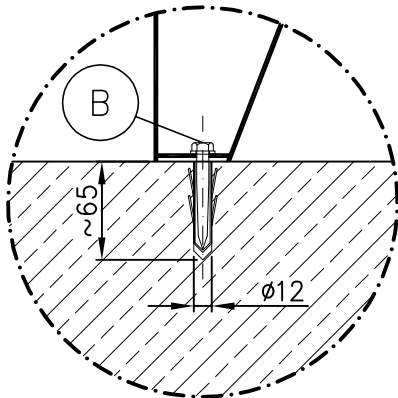


B - B

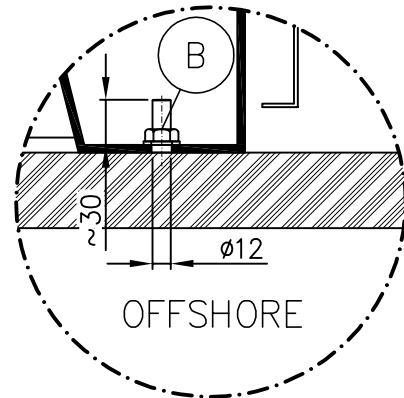




C - C



D - D



## Technical Datasheet

**Miele**  
PROFESSIONAL

Washer-extractor:  
Heating:

PW 6167  
Electric (EL)

Legend:



Solid circle around symbol:  
Connection mandatory



Broken circle around symbol:  
Connection optional or as required




en-GB

### Optional extras:






UM	Miele plinth	UO 6016 (UO = Open plinth)		
		Height	mm	240
		Width	mm	920
		Depth	mm	899
		UG 6016 (UG = Box plinth)		
		Height	mm	240
		Width	mm	900
		Depth	mm	909
BS	Concrete plinth	Recommended height	mm	240
		Minimum height	mm	100
		Min. plinth width	mm	920
		Min. plinth depth	mm	910
WI	Weighing system	Model version with integrated weighing system		
OS	Offshore	Special offshore version		

### Machine connections:

EL	Electrical connection	1. Standard voltage (as supplied)	V	3N AC 380 - 415
		Frequency	Hz	50 - 60
		Rated load	kW	17
		Fuse rating	A	3 x 25
		Connection cable, min. cross-section	mm <sup>2</sup>	5 x 4
		Connection cable (not supplied)		
Country variations:				
N		1. Standard voltage (as supplied)	V	3 AC 220 - 240
		Frequency	Hz	50 - 60
		Rated load	kW	17
		Fuse rating	A	3 x 50
		Connection cable, min. cross-section	mm <sup>2</sup>	4 x 10
		Connection cable (not supplied)		

		<p>1. Standard voltage (as supplied)</p> <p>Frequency Rated load Fuse rating Connection cable, min. cross-section Connection cable (not supplied)</p> <p>Alternative voltage (convertible)</p> <p>Frequency Rated load Fuse rating Connection cable, min. cross-section Connection cable (not supplied)</p>	<p>V Hz kW A mm<sup>2</sup></p> <p>V Hz kW A mm<sup>2</sup></p>	<p>3 AC 220 - 240 50 - 60 18 3 x 50 4 x 10</p> <p>3 AC 208 60 15.3 3 x 50 4 x 10</p>
	Non-standard voltages:			
	OS 440	<p>Standard voltage (as supplied)</p> <p>Frequency Rated load Fuse rating Connection cable, min. cross-section Connection cable (not supplied)</p>	<p>V Hz kW A mm<sup>2</sup></p>	<p>3 AC 440 60 17 3 x 25 4 x 4</p>
	<p>Electrical connection must comply with national legislation, guidelines and ordinances as well as local regulations. Guidelines issued by power utilities and insurance companies, occupation safety regulations and general good practices also apply.</p> <p>Connection should only be performed by a qualified person with suitable training.</p> <p>The machine can be hard-wired or installed with a plug connection according to IEC 60309-1. A wall socket or mains isolator must be accessible after installation.</p> <p>A plug and socket connection is recommended to facilitate accessibility for electrical safety tests.</p> <p>If an earth-leakage circuit breaker (RCD) is required by local regulations, a Type B device (sensitive to all types of current) should be installed.</p>			
	Equi-potential bonding	<p>Sleeve with external thread for washer and nut</p> <p>Fitting such as washers and nuts are only supplied with the OS machine version.</p> <p>If necessary, equipotential bonding with good galvanic contact must be provided in accordance with all appropriate national and local regulations.</p>	<p>mm M</p>	<p>10 x 35 10</p>
	Peak-load cut-off	<p>Connection voltage for control signals Connection cable, min. cross-section Connection cable (not supplied)</p> <p>Miele recommends the use of a flexible supply lead and an additional cut-off switch. The switch should be visible and accessible after installation.</p>	<p>V mm<sup>2</sup></p>	<p>AC 230 5 x 1.5</p>



	<p>Cold water Soft water</p>	<p>Min. water pressure/flow pressure Max. water pressure/flow pressure Max. throughput Max. throughput (if hot or raw water supply is not available)</p> <p>2 inlet hoses with 3/4" threaded union including Y-piece (3/4" / 1") included. On-site connection thread according to DIN 44 991 Length of inlet hose</p> <p>Average water requirements for standard programme (60°C Cottons) for cold, hot and raw water connections.</p> <p>Additional requirements if hot water supply is not available.</p> <p>If connected to grey water supply, subtract cold water (soft) volume.</p>	<p>kPa kPa l/min l/min</p> <p>Inch mm</p> <p>l/h</p>	<p>100 1000 26 42</p> <p>1" external thread 1500</p> <p>Approx. 105</p>
	<p>Hot water (soft water)</p>	<p>Max. water temperature Min. water pressure/flow pressure Max. water pressure/flow pressure Max. throughput</p> <p>1 inlet hose with 3/4" threaded union supplied. On-site connection thread according to DIN 44 991 Length of inlet hose</p> <p>Average water requirements for standard programme (60°C Cottons) for cold, hot and raw water connections.</p> <p>In the absence of a hot water supply, the hot water hose should be connected to cold water!</p>	<p>°C kPa kPa l/min</p> <p>Inch mm</p> <p>l/h</p>	<p>70 100 1000 16</p> <p>3/4" external thread 1500</p> <p>Approx. 112</p>
	<p>Cold water Raw water</p>	<p>Min. water pressure/flow pressure Max. water pressure/flow pressure Max. throughput</p> <p>2 inlet hoses with 3/4" threaded union including Y-piece (3/4" / 1") included (optional). On-site connection thread according to DIN 44 991 Length of inlet hose</p> <p>Average water requirements for standard programme (60°C Cottons) for cold, hot and raw water connections.</p>	<p>kPa kPa l/min</p> <p>Inch mm</p> <p>l/h</p>	<p>100 1000 32</p> <p>1" external thread 1500</p> <p>Approx. 65</p>
	<p>Cold water Liquid dispensing</p>	<p>Min. water pressure/flow pressure Max. water pressure/flow pressure Max. throughput</p> <p>1 inlet hose with 3/4" threaded union included (optional). On-site connection thread according to DIN 44 991 Length of inlet hose</p>	<p>kPa kPa l/min</p> <p>Inch mm</p>	<p>100 1000 5.5</p> <p>3/4" external thread 1500</p>
	<p>Waste water Drain valve</p>	<p>Max. waste water temperature Waste water connection on machine (ext. diameter) Drain connection on site (int. diameter) Max. transient throughput</p> <p>Vented drainage required. If ventilation is insufficient, fit Miele kit, Mat. no. 05238090. Drain manifolds serving several machines must be of sufficient cross-section.</p>	<p>°C mm mm l/min</p>	<p>95 75 [DN 70] 75 [DN 70] 200</p>

B	Fasteners	<p>Without plinth The machine must be firmly anchored to the floor!</p> <p>Anchor fittings included: 2 × bolts DIN 571 (Ø × length) 2 × rawl plugs (Ø × length)</p> <p>The floor must be solid and able to support the machine. The fittings included are suitable for a solid concrete floor. Anchor bolts and fittings for other floor types must be provided on site.</p>	mm mm	12 × 90 16 × 80
		<p>On concrete plinth The machine must be firmly anchored to the floor!</p> <p>Anchor fittings included: 2 × bolts DIN 571 (Ø × length) 2 × rawl plugs (Ø × length)</p> <p>The grade of concrete should be suitable for the load. The plinth should be firmly anchored to the floor to accommodate dynamic stress!</p>	mm mm	12 × 90 16 × 80
		<p>Miele plinth The plinth must be firmly anchored to the floor!</p> <p>Anchor fittings included with plinth: 4 × bolts DIN 571 (Ø × length) 4 × rawl plugs (Ø × length)</p> <p>Both the machine and the plinth must be installed according to the installation instructions provided.</p>	mm mm	8 × 80 12 × 80
	Machine version WI	<p>The machine must be firmly anchored to the floor!</p> <p>Anchor fittings included: 4 × bolts DIN 571 (Ø × length) 4 × rawl plugs (Ø × length)</p> <p>The floor must be solid and able to support the machine. The fittings included are suitable for a solid concrete floor. Anchor bolts and fittings for other floor types must be provided on site.</p>	mm mm	12 × 90 16 × 80
Machine version OS	<p>The machine must be firmly anchored to the floor!</p> <p>Fittings not supplied with machine. Internal anchor thread</p> <p>Installation must comply with local requirements and cater for on-site conditions. The machine is supplied without feet to allow the interior thread to be used with stay bolts.</p>	mm	12	

Machine data	Machine width	mm	924
	Machine depth	mm	1007
	Machine height	mm	1400
	Casing width	mm	920
	Casing depth	mm	910
	Min. access width to installation site	mm	930
	Recommended rear wall gap (measured to front of machine)	mm	1350
	Minimum wall gap (measured to rear of machine lid)	mm	400
	Net weight	kg	475
	Dynamic floor load, max.	N	5675
	Static floor load, max.	N	5209
	Dynamic load, max.	N	466
	Drum frequency, max.	Hz	19.2
	Average heat dissipation (dependent on ambient room temperature and programme selected)	W	1740
	Sound pressure level (re 20 mPA), workplace-related (at distance of 1 m and height of 1.6 m)	dB (A)	67
Installation should only be carried out by authorised fitters in accordance with valid regulations! Observe installation instructions when installing machine! All rights reserved! Dimensions in mm			