

# Installationsplan / Installation plan

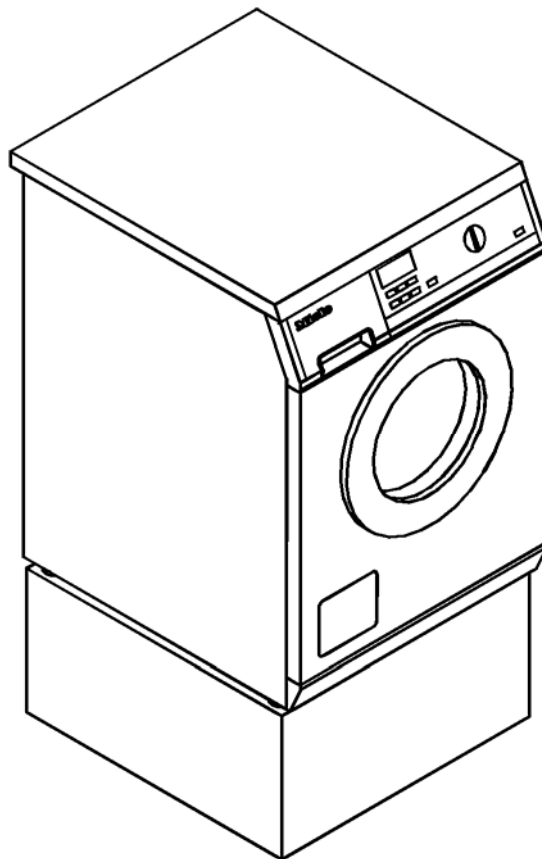
Installatietekening  
Plan d'installation  
Piano di installazione

Plano de instalación  
Plano de instalação  
Σχέδιο εγκατάστασης

Asennusohje  
Installasjonsplan  
Installationsplan



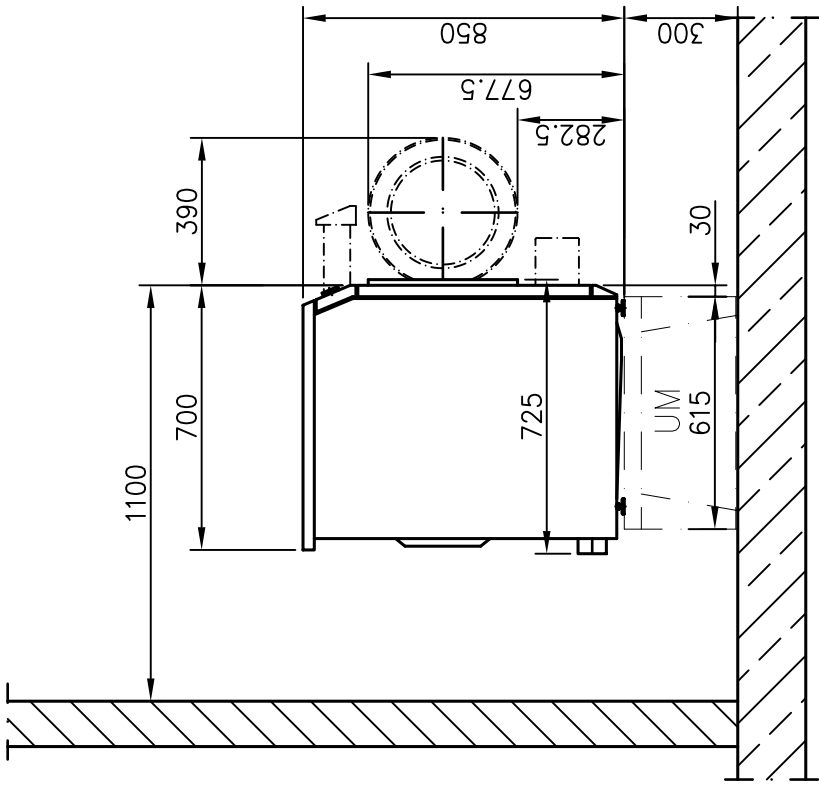
## PW 5064 EL MOPP



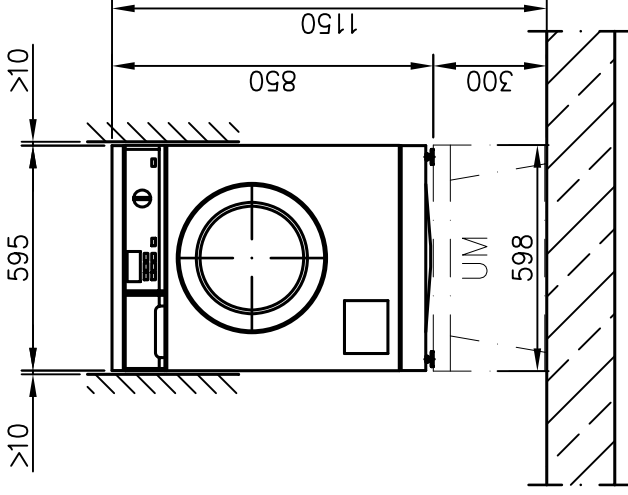
Materialnummer	/	Mat. no.:	7 440 110
Änderungsstand	/	Version:	02
Datum Zeichnung	/	Drawing date:	16.07.2008
Datum Legende	/	Legend date:	16.07.2008



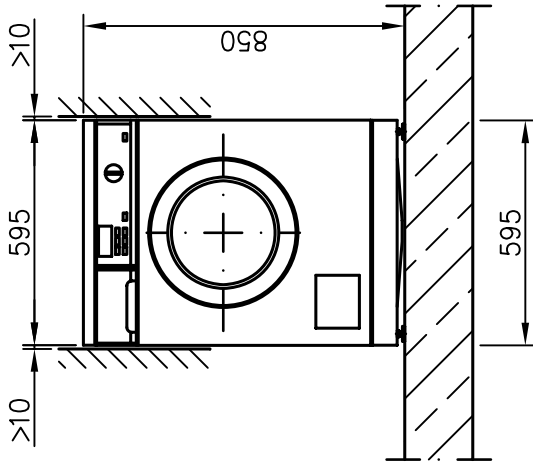
” A”



” A”

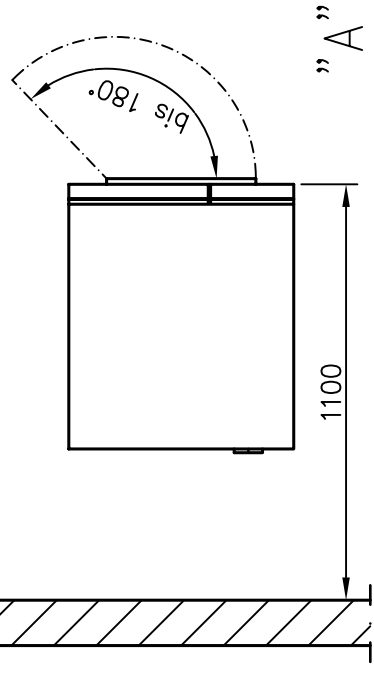


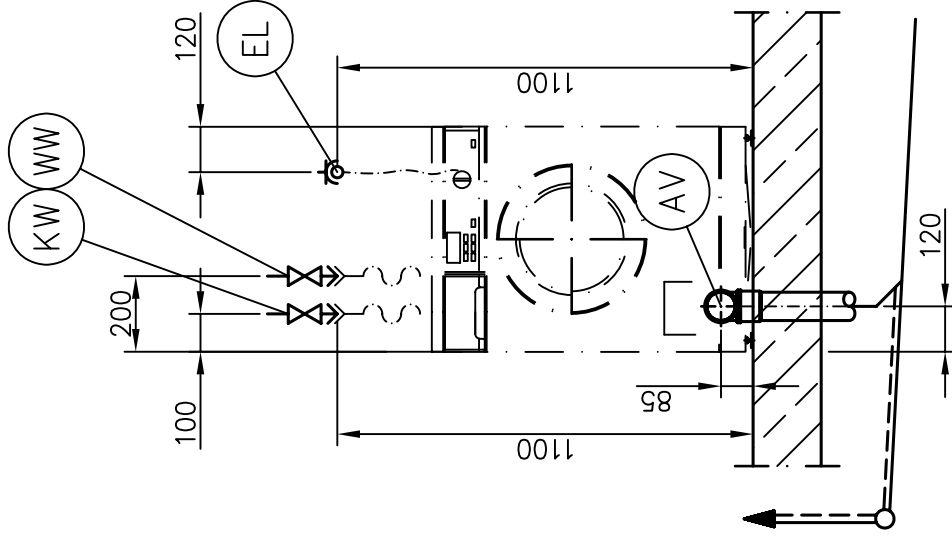
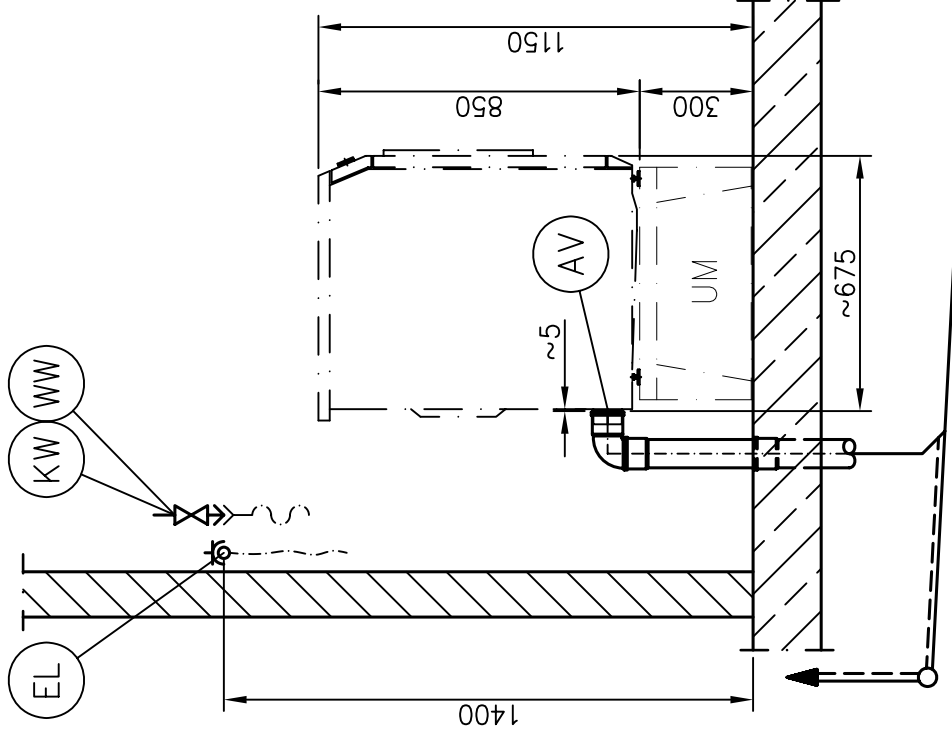
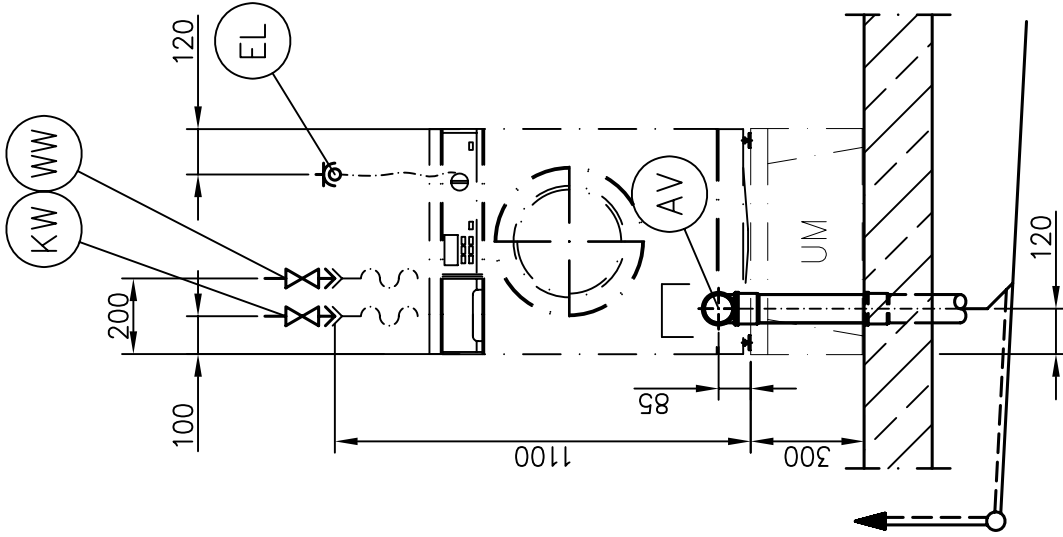
” A”



Installationsplan/Installation plan  
Waschmaschine/Washer  
PW 5064 EL MOPP

Date: 16.07.2008  
Page: 3  
Name: SB

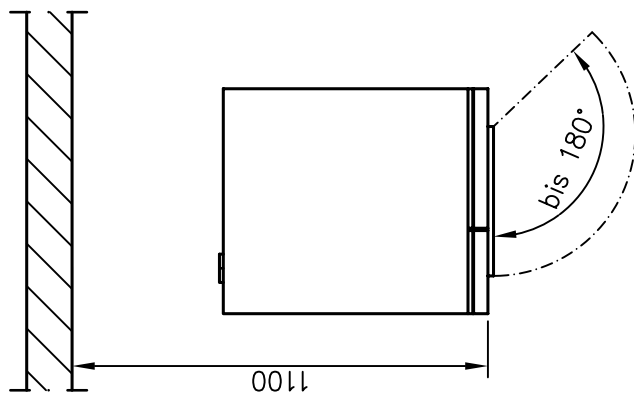




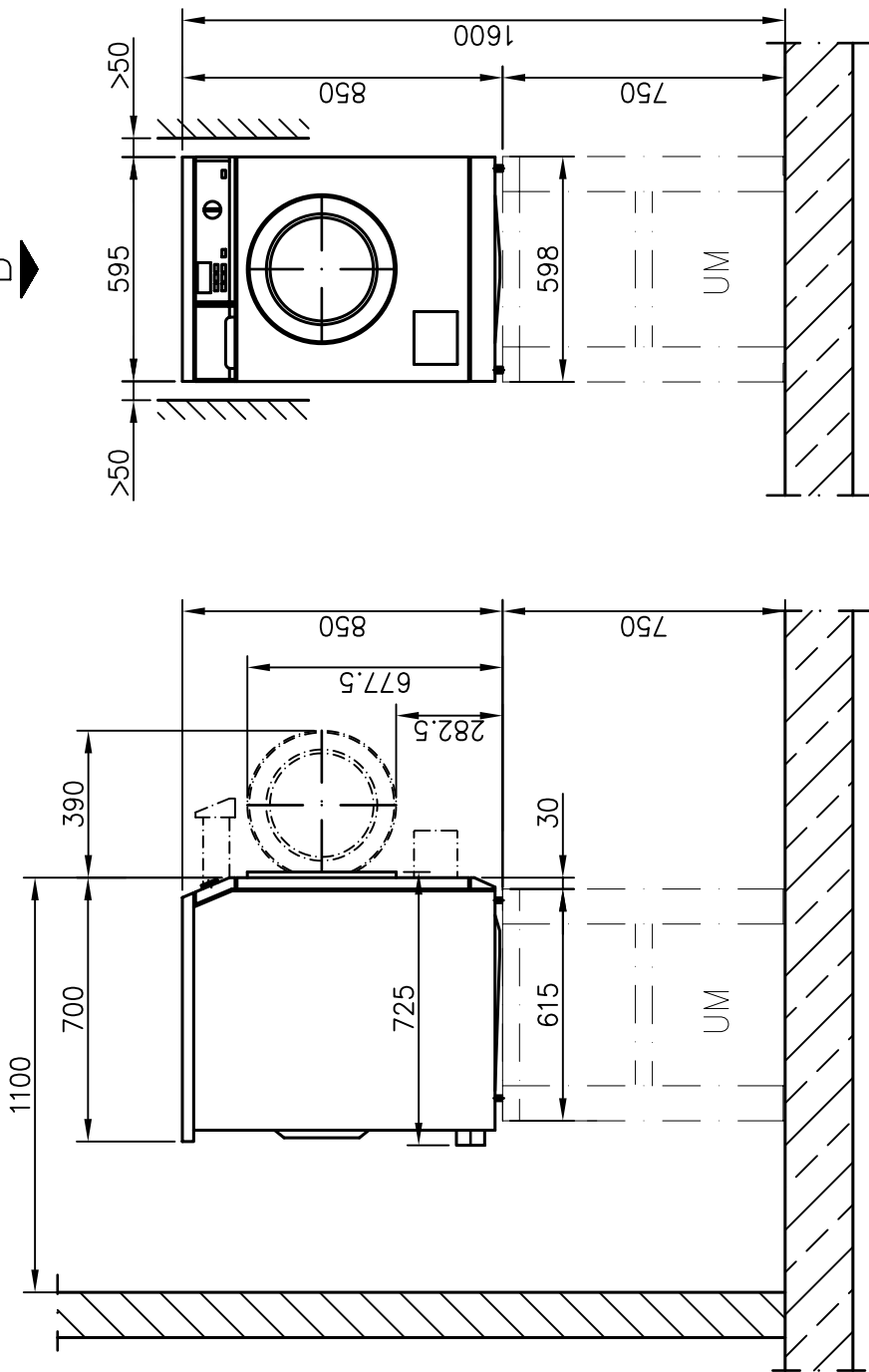
Installationsplan/Installation plan  
 Waschmaschine/Washer  
 PW 5064 EL MOPP

Date:	16.07.2008
Page:	4
Name:	SB

"B"



"B" →

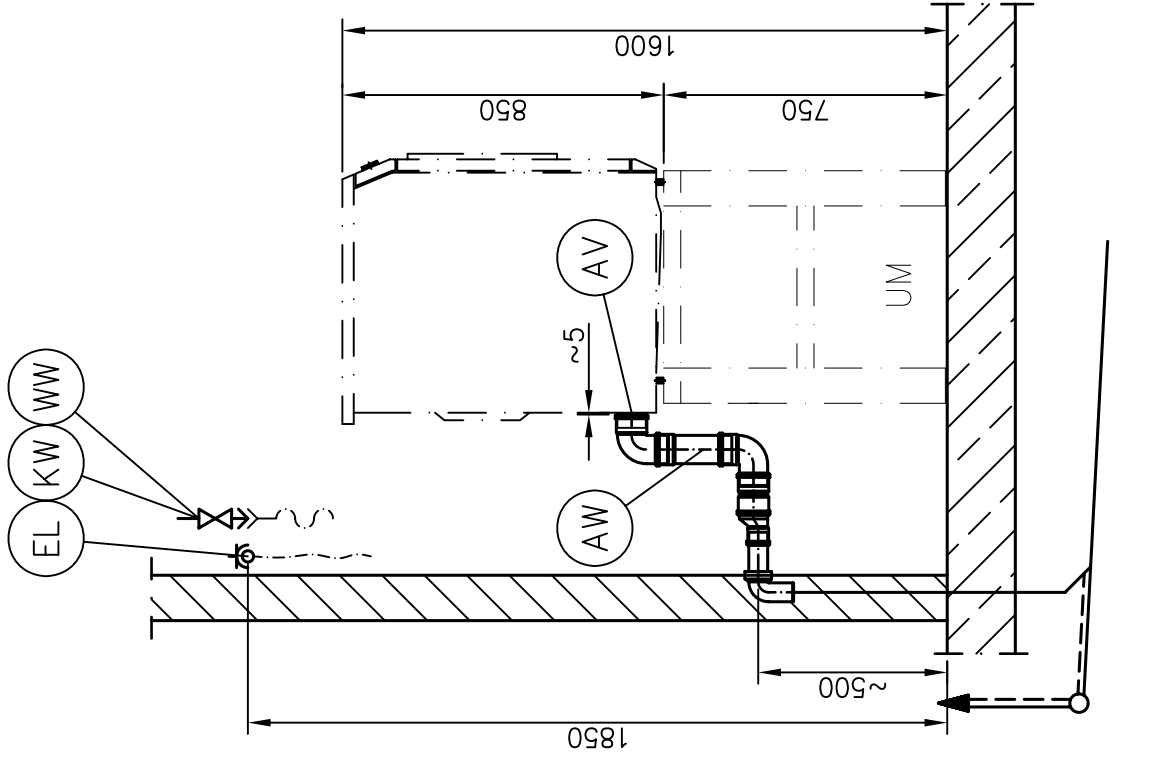


Installationsplan/Installation plan  
Waschmaschine/Washer  
PW 5064 EL MOPP

Date: 16.07.2008

Page: 5

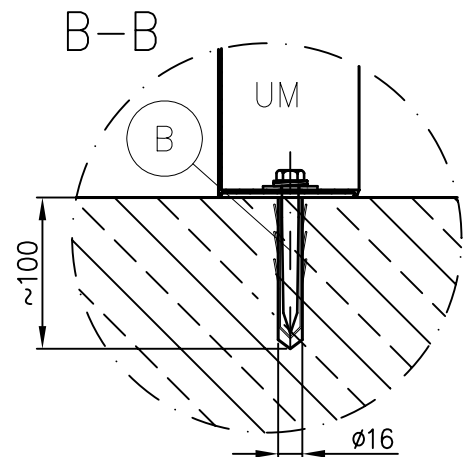
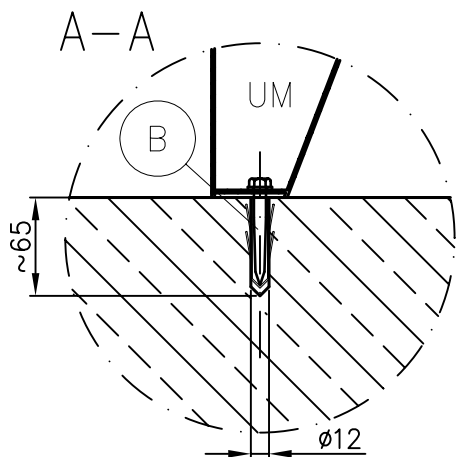
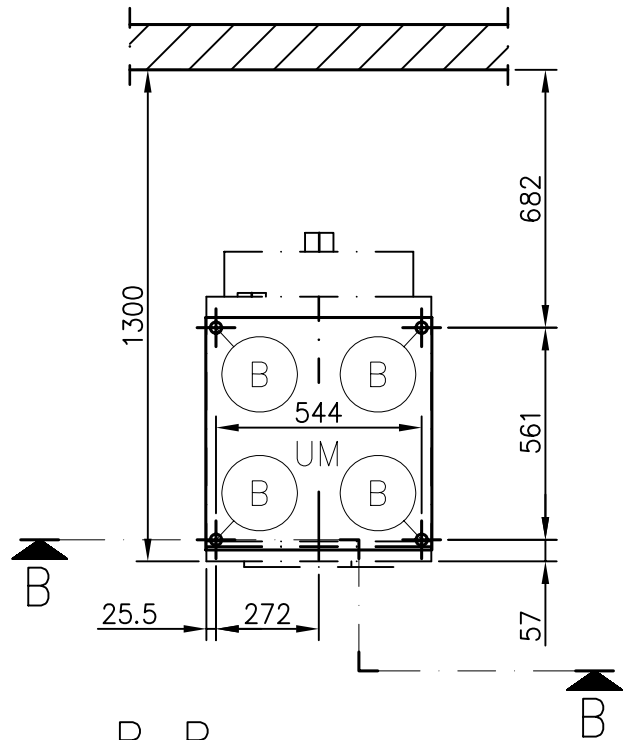
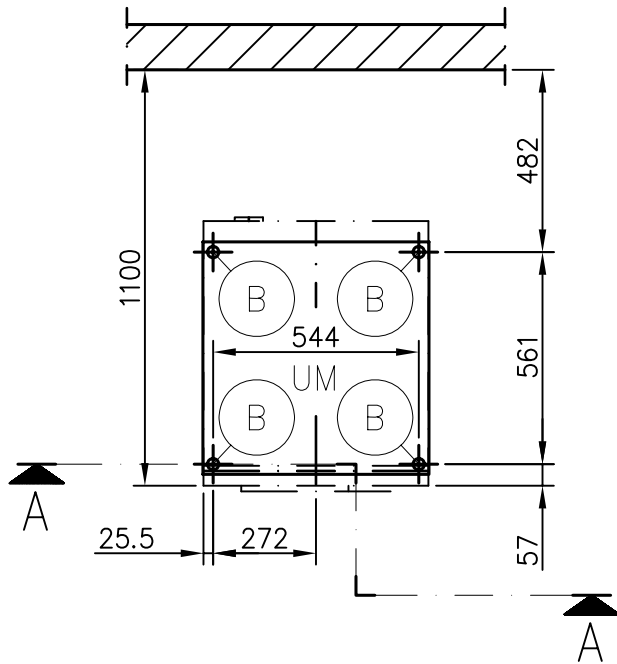
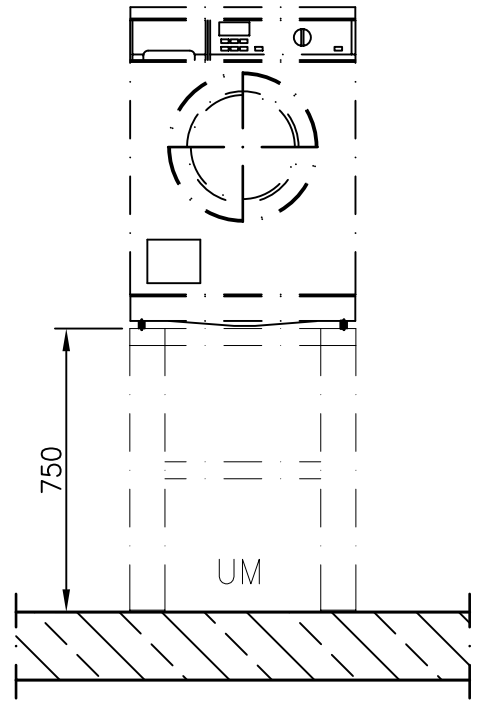
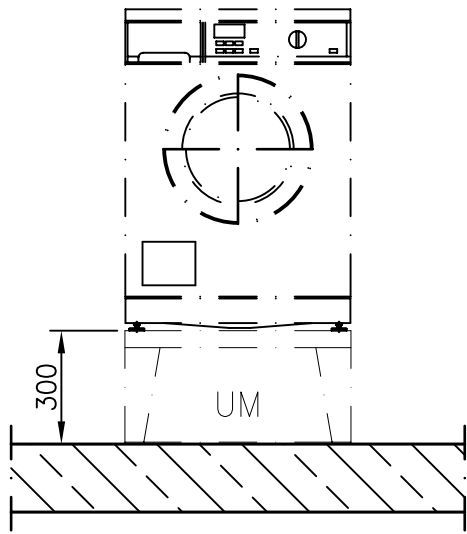
Name: SB

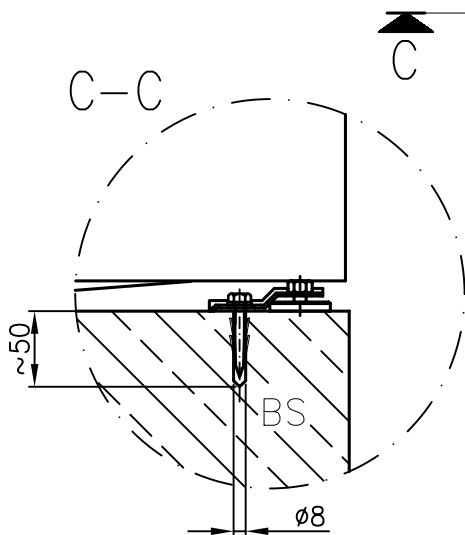
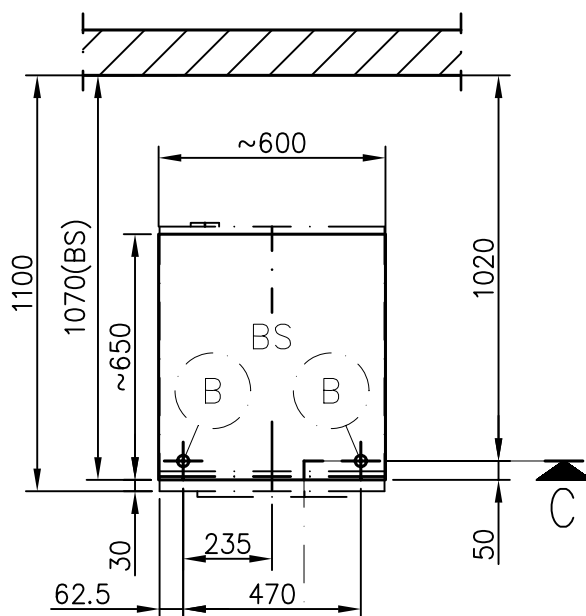
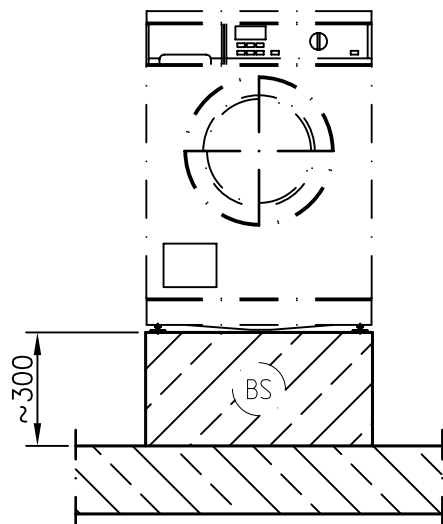


Installationsplan/Installation plan  
 Waschmaschine/Washer  
 PW 5064 EL MOPP



Date: 16.07.2008  
 Page: 6  
 Name: SB





**Miele**  
PROFESSIONAL

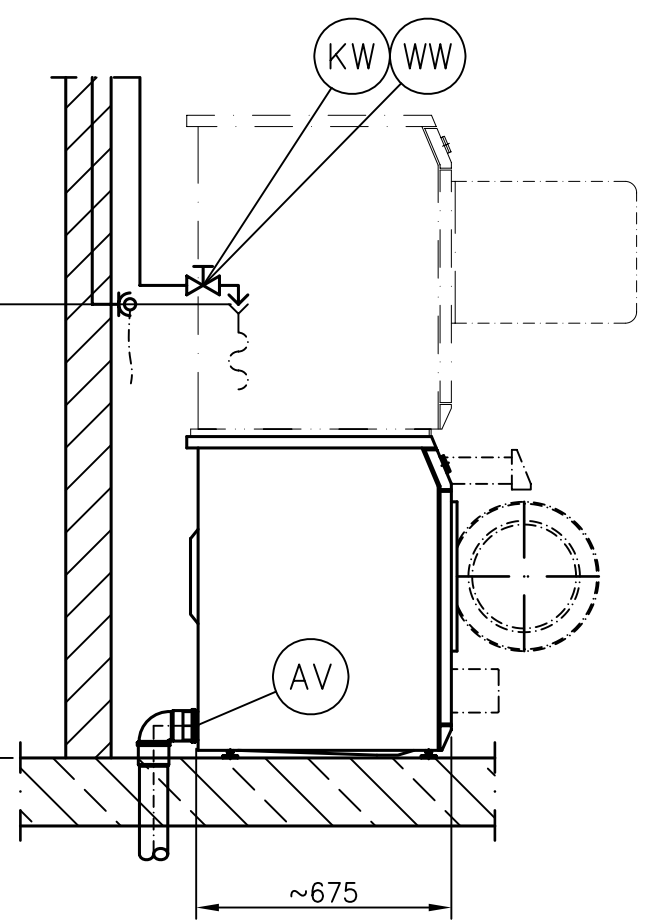
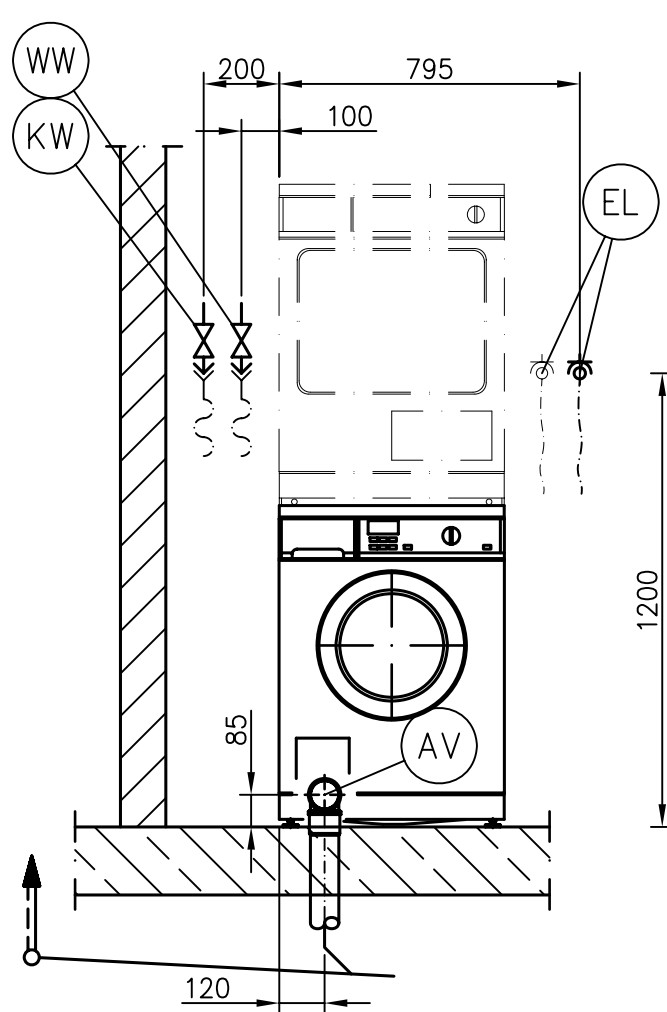
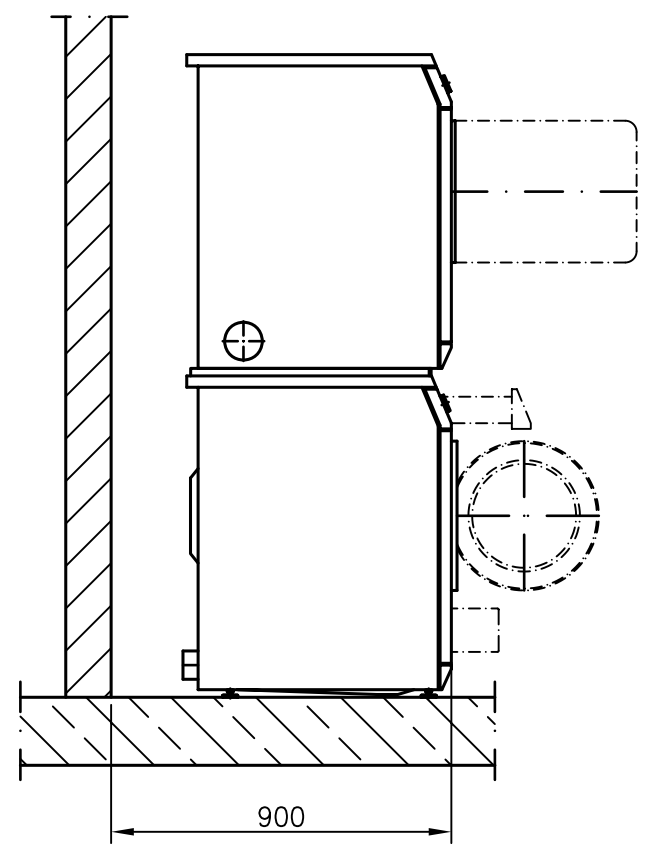
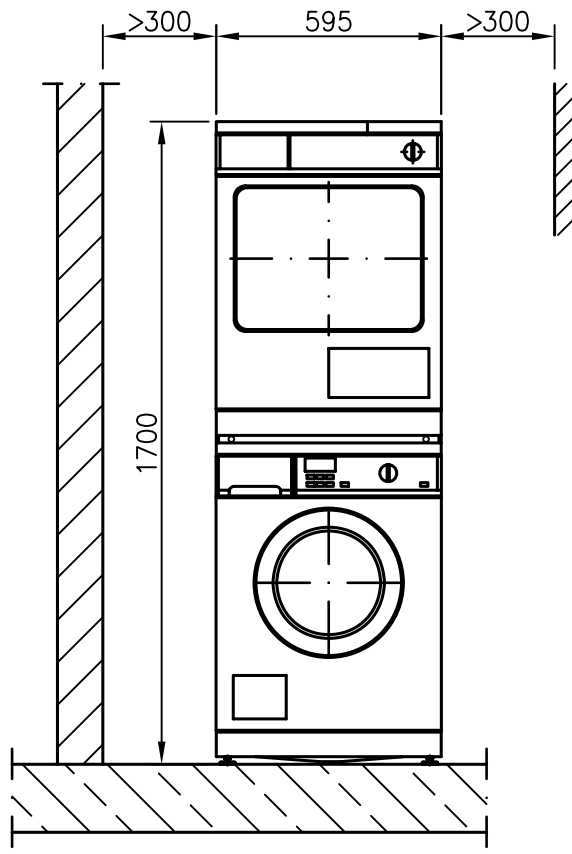
Installationsplan/Installation plan  
Waschmaschine/Washer  
PW 5064 EL MOPP

Date: 16.07.2008

Page: 8

Name: SB





# Technical Datasheet



Washer-extractor  
Heating:

PW 5064 MOPP  
Electric (EL)

Legend:



Circled, bold-type abbreviations:  
Connection required



Abbreviations surrounded by broken circle:  
Connection optional or required, depending on model








## Optional extras:

<b>UM</b>	Miele plinth	UG/VO 5005-08 (UG = Box plinth/VO = Open plinth)		
		Height	mm	300
		Width UG (VO)	mm	609 (598)
		Depth UG (VO)	mm	622 (615)
		UG 5005-75		
		Height	mm	750
		Width	mm	598
		Depth	mm	615
<b>BS</b>	Concrete plinth	Concrete plinth (min. quality C12/15)		
		Recommended height	mm	300
		Minimum height	mm	70
		Recommended width	mm	600
		Recommended depth	mm	650
		Ensure good anchorage!		

## Machine connections:

<b>EL</b>	Electrical connection	1. Standard voltage (as supplied)		
		Frequency	Hz	50
		Rated load	kW	4.8
		Fuse rating	A	2 x 16
		Connection cable, min. cross-sectional area	mm <sup>2</sup>	4 x 1.5
		Length of supply lead (supplied)	mm	1800
		<i>Alternative voltage</i>	<i>V</i>	<i>1N AC 230</i>
		<i>Frequency</i>	<i>Hz</i>	<i>50</i>
		<i>Rated load</i>	<i>kW</i>	<i>2.5</i>
		<i>Fuse rating</i>	<i>A</i>	<i>1 x 16</i>
		<i>Connection cable, min. cross-sectional area</i>	<i>mm<sup>2</sup></i>	<i>4 x 1.5</i>
		<i>Length of supply lead (supplied)</i>	<i>mm</i>	<i>1800</i>

Country variations:			
<b>GB</b>	2. Standard voltage (as supplied) Frequency Rated load Fuse rating Connection cable, min. cross-sectional area Length of supply lead with plug (supplied)	V Hz kW A mm <sup>2</sup> mm	1N AC 230 50 2.5 1 × 13 3 × 1.5 2000
	<i>Alternative voltage</i> <i>Frequency</i> <i>Rated load</i> <i>Fuse rating</i> <i>Connection cable, min. cross-sectional area</i> <i>Length of supply lead (not supplied)</i>	convertible	2N AC 400 50 4.8 2 × 13 4 × 1.5
	3. Standard voltage (as supplied) Frequency Rated load Fuse rating Connection cable, min. cross-sectional area Length of supply lead (supplied)	V Hz kW A mm <sup>2</sup> mm	1N AC 230 50 4.8 1 × 25 3 × 2.5 2000
<b>DK</b>  <b>S</b>	4. Standard voltage (as supplied) Frequency Rated load Fuse rating Connection cable, min. cross-sectional area Length of supply lead (supplied)	V Hz kW A mm <sup>2</sup> mm	3N AC 400 50 4.8 3 × 10 5 × 1.5 2000
	5. Standard voltage (as supplied) Frequency Rated load Fuse rating Connection cable, min. cross-sectional area Length of supply lead (supplied)	V Hz kW A mm <sup>2</sup> mm	1N AC 230 50 2.3 1 × 10 3 × 1.5 2000
<b>B</b>	6. Standard voltage (as supplied) Frequency Rated load Fuse rating Connection cable, min. cross-sectional area Length of supply lead (not supplied)	V Hz kW A mm <sup>2</sup>	2N AC 400 50 4.8 2 × 16 4 × 1.5
	<i>Alternative voltage</i> <i>Frequency</i> <i>Rated load</i> <i>Fuse rating</i> <i>Connection cable, min. cross-sectional area</i> <i>Length of supply lead (not supplied)</i>	convertible	1N AC 230 50 2.5 1 × 16 4 × 1.5
	<i>Alternative voltage</i> <i>Frequency</i> <i>Rated load</i> <i>Fuse rating</i> <i>Connection cable, min. cross-sectional area</i> <i>Length of supply lead (supplied)</i>	convertible	3 AC 230 50 4.8 3 × 20 4 × 2.5 1800

		7. Standard voltage (as supplied) Frequency Rated load Fuse rating Connection cable, min. cross-sectional area Length of supply lead with plug (supplied)	V Hz kW A mm <sup>2</sup> mm	1N AC 230 50 3.2 1 x 16 3 x 1.5 2000
		8. Standard voltage (as supplied) Frequency Rated load Fuse rating Connection cable, min. cross-sectional area Length of supply lead (supplied)	V Hz kW A mm <sup>2</sup> mm	2N AC 400 50 4.8 2 x 16 4 x 1.5 1800
		Plug and socket connection in accordance with IEC 60309 recommended to facilitate electrical safety tests. Install mains isolator according to IEC 60947 on hard-wired connection. Wall socket or mains isolator must be accessible after installation. The use of an earth leakage circuit breaker (ELCB) is strongly recommended. If an ELCB is fitted, it must be a Type B RCD able to cope with rectified three-phase supplies. If necessary, equipotential bonding with good galvanic contact must be provided in accordance with all appropriate national and local regulations.		
	Cold water	Min. flow pressure Max. pressure Max. throughput (if hot water supply is not available) On-site connection thread according to DIN 44 991 Length of connection hose (parts supplied: 1 connection hose) Water requirements (average for 60°C programme) Standard connection (with hot water connection)  Additional requirements if hot water supply is not available.	kPa kPa l/min Inch mm  l/h	100 1000 11 (11) ¾" external thread 1550  Approx. 80
	Hot water	Max. temperature Min. flow pressure Max. pressure Max. throughput On-site connection thread according to DIN 44 991 Length of connection hose (parts supplied: 1 connection hose) Water requirements (average for 60°C programme) Standard connection [with hot water connection]  In absence of hot water, use blind stopper supplied and reprogramme controls to cold water intake. <b>Or</b> Connect hot water hose to cold water supply	°C kPa kPa l/min Inch mm  l/h	70 100 1000 11 ¾" external thread 1550  Approx. 10
	Drainage via dump valve	Max. temperature Machine waste water connection (exterior) On-site drain (interior) Max. transient throughput  Vented drainage required. If ventilation is insufficient, fit Miele kit, Mat. no. 05238090. Drain manifolds serving several machines must be of sufficient cross-section.	°C mm mm l/min	70 75 [DN 75] 75 [DN 75] 62
	Water water Fluff filter box	Max. temperature Machine waste water connection (exterior) Recommended on-site drain (interior) Minimum on-site drain (interior)  Depending on on-site conditions and technical requirements, an odour trap may be required in the waste water line.	°C mm mm mm	70 75 [DN 75] 75 [DN 75] 50 [DN 50]

B	Fittings (supplied)	Miele plinth UG/UG 5005-08 4 x metal angled brackets (to secure machine to plinth) 4 x screws DIN 571 (Ø x length) 4 x rawl plugs (Ø x length) Machine must be secured if installation is on plinth! Fixing materials for floating screed floor to be provided on site	mm mm	8 x 65 12 x 60
		Miele plinth UG 5005-75 4 x metal angled brackets (to secure machine to plinth) 4 x screws DIN 571 (Ø x length) 4 x washers 4 x rawl plugs (Ø x length) Machine must be secured if installation is on plinth! Fixing materials for floating screed floor to be provided on site	mm mm	M 10 12 x 90 16 x 100
		On concrete plinth 2 x metal brackets 2 x screws DIN 571 (Ø x length) 2 x rawl plugs (Ø x length) Machine must be secured if installation is on plinth! Fixing materials for floating screed floor to be provided on site	mm mm	6 x 50 8 x 40
	Possible extensions	The following extensions are possible: - Installation as washer-dryer stack - Liquid dispensing		
	Machine data	Width Depth Height Min. access width to installation site Minimum rear wall gap (measured to front of machine) Net weight Dynamic floor load, max. Static floor load, max. Dynamic load, max. Drum frequency, max. Average heat dissipation (dependent on ambient room temperature and programme selected)	mm mm mm mm mm kg N N N Hz W	595 725 850 600 1100 107 2820 1455 1365 24 250
Installation should only be carried out by authorised fitters in accordance with valid regulations! Observe installation instructions when installing machine! All rights reserved! Dimensions in mm				