

Installation recommendations
Tumble dryers

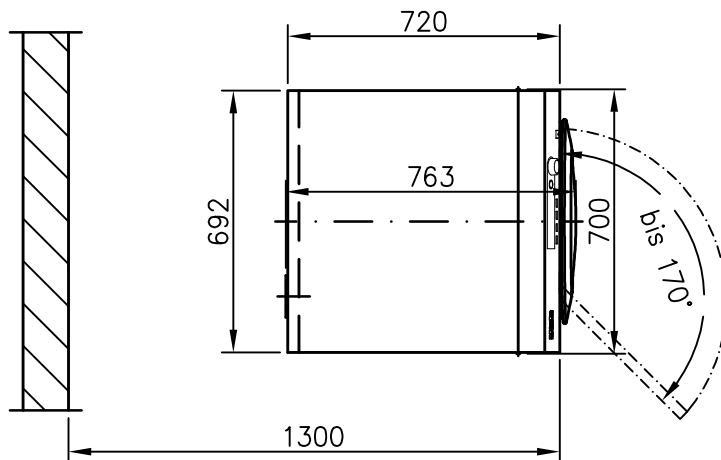
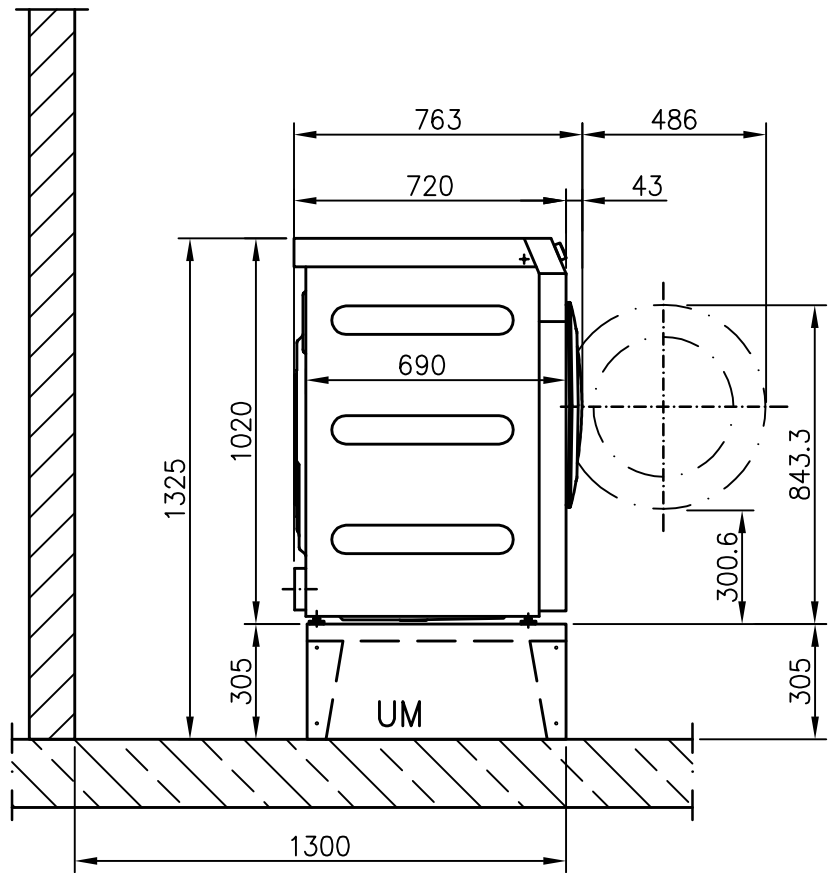
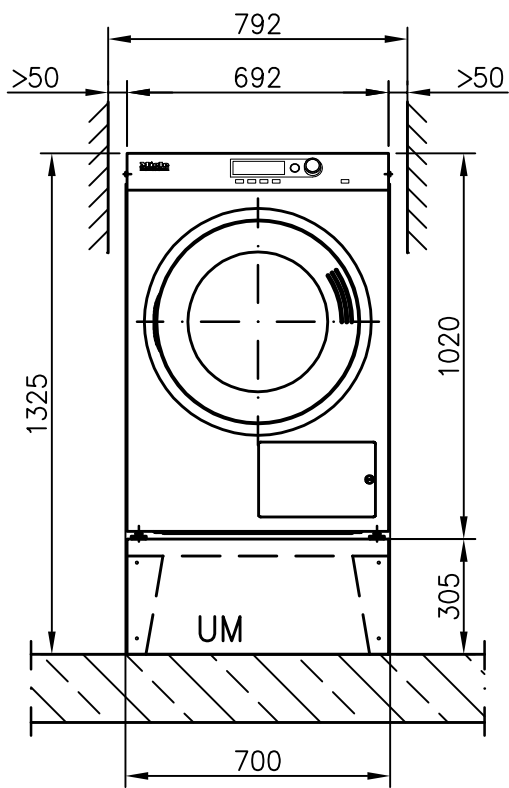


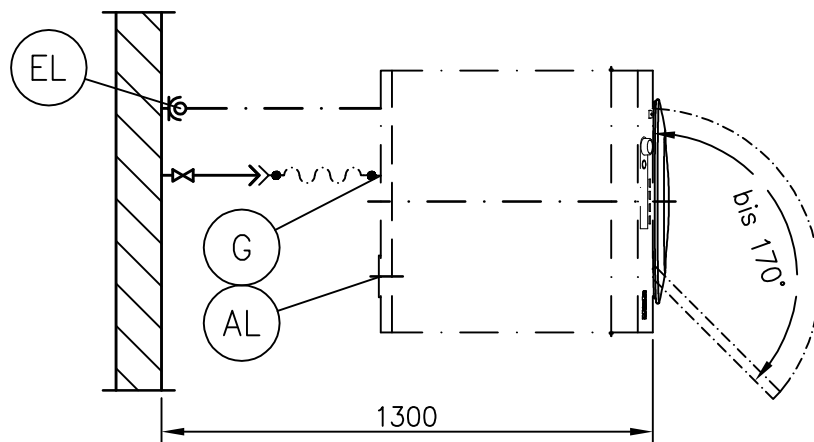
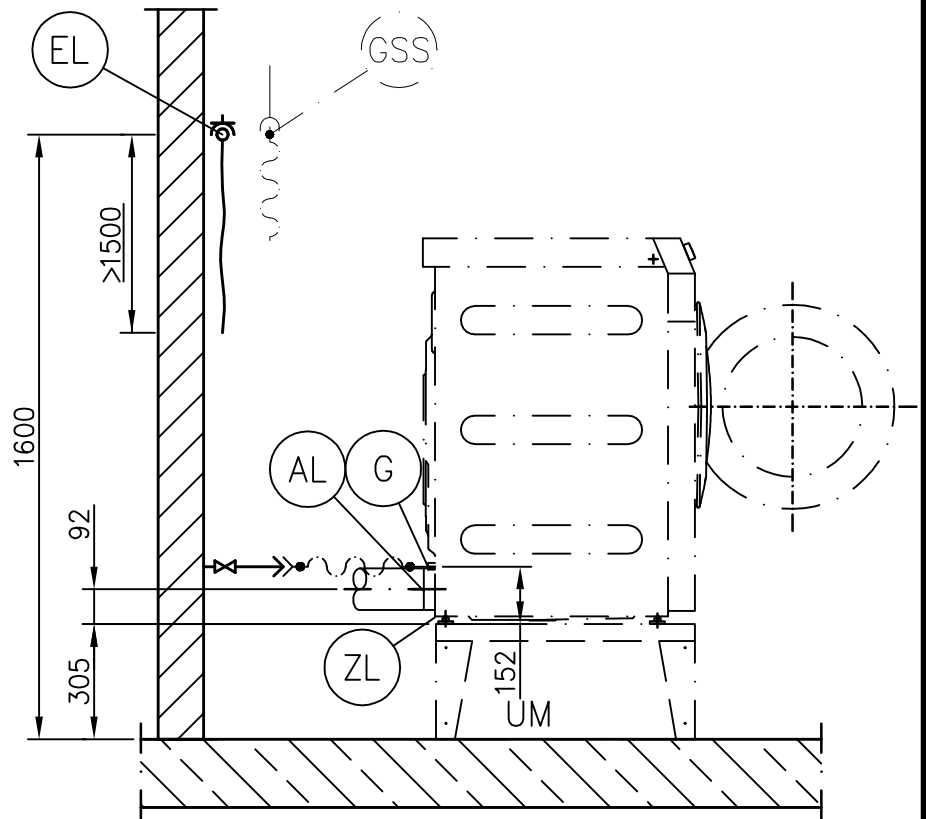
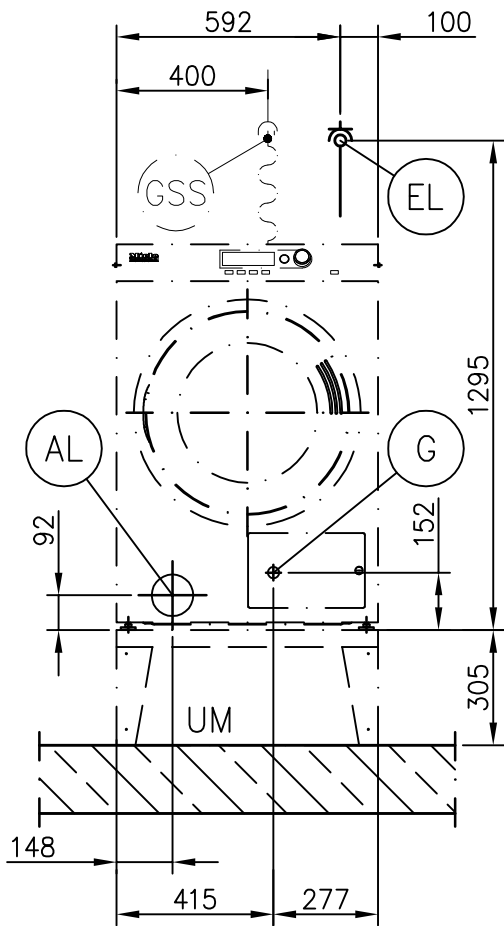
PT 7186 G

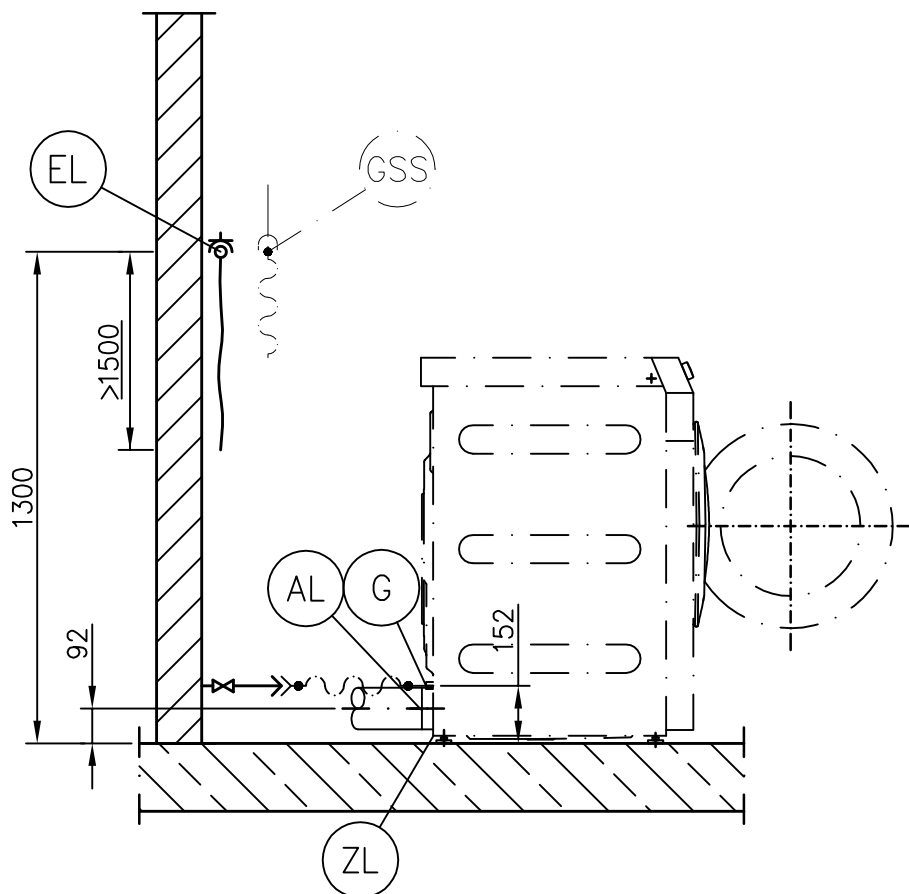
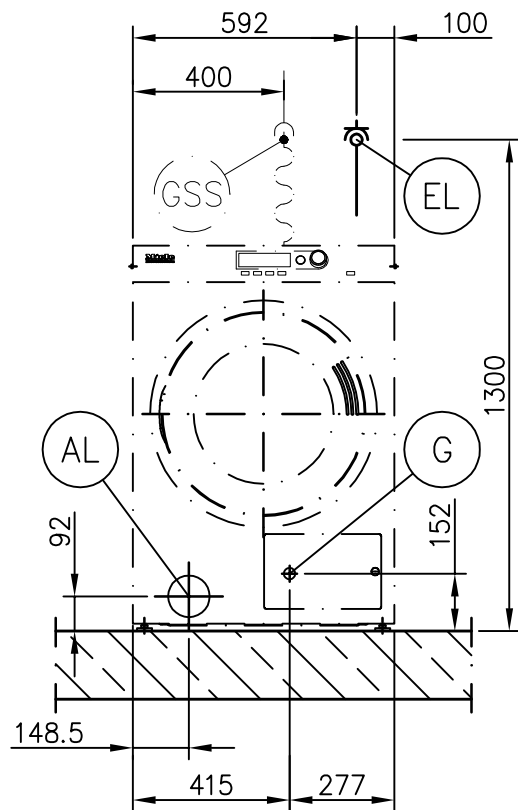
en - GB

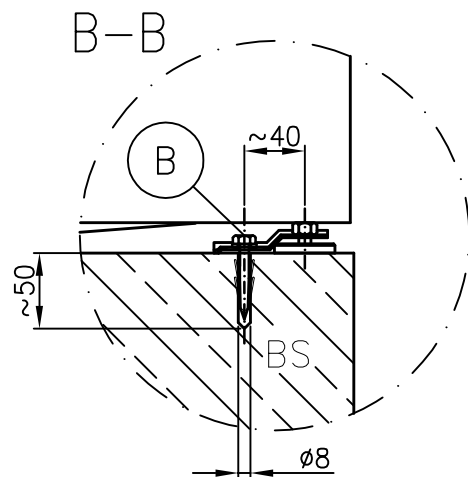
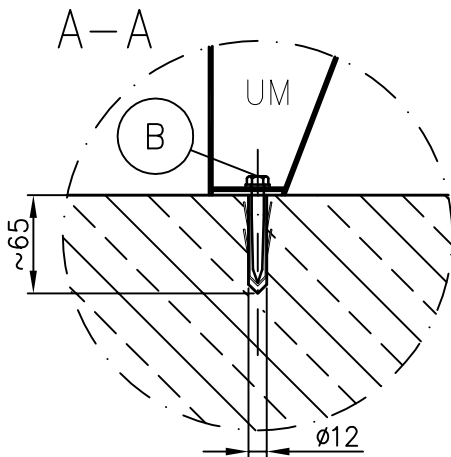
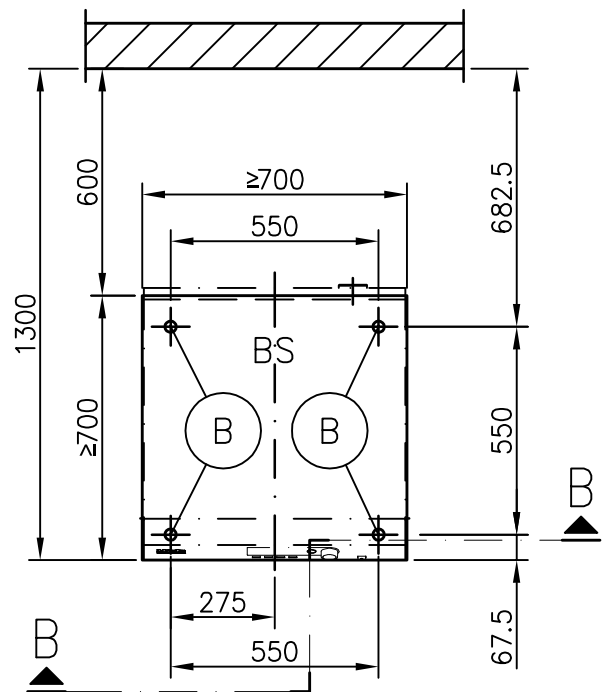
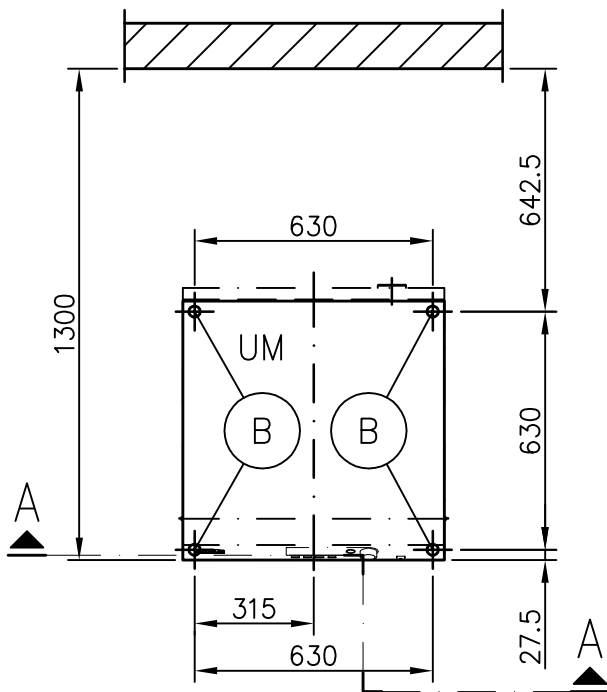
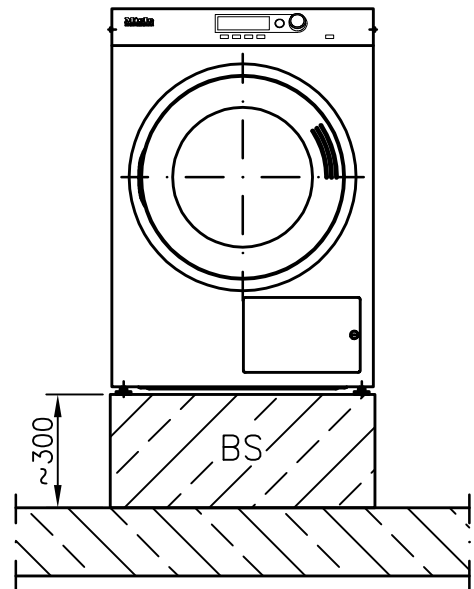
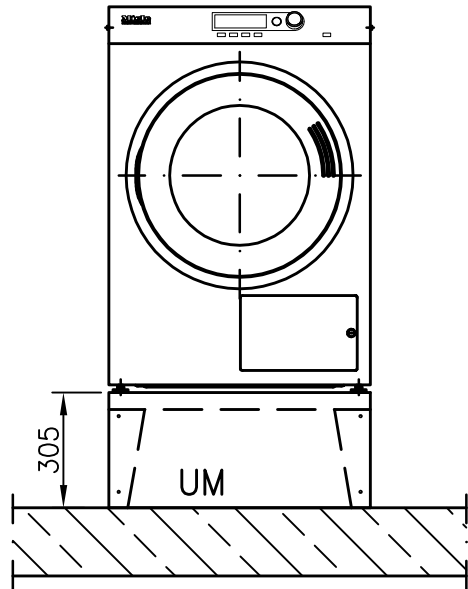
It is **essential** to read the operating and installation instructions before installing, commissioning or using the machine.
This avoids the risk of accidents or damage.

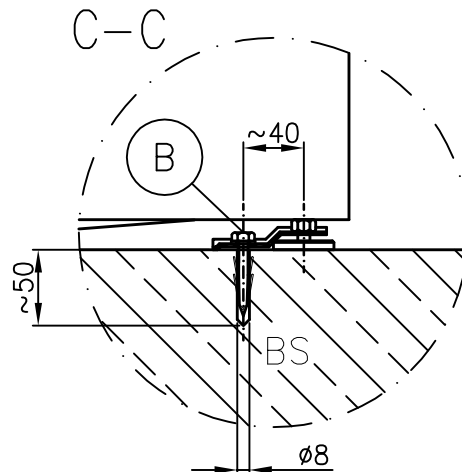
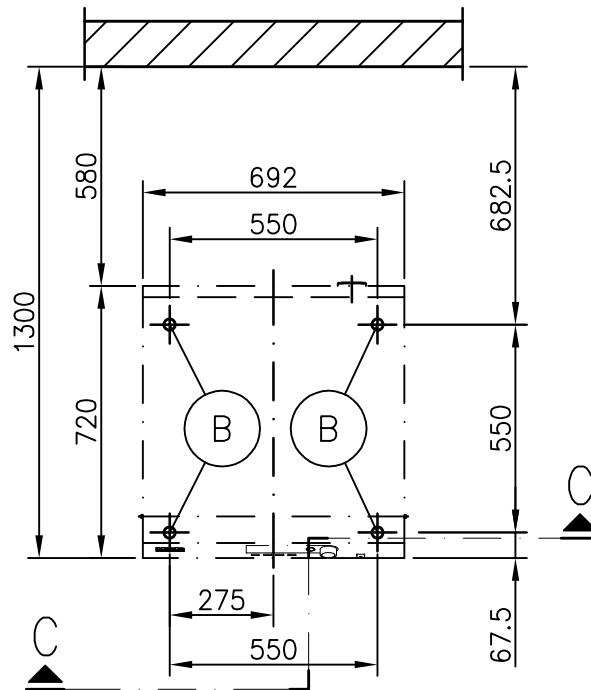
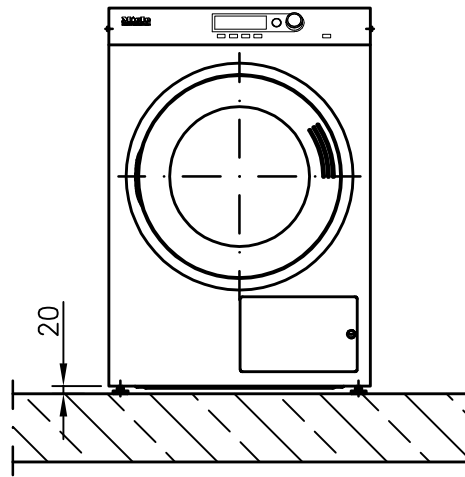
All rights reserved











Miele
PROFESSIONAL

Vorrichtungsempfehlung /
Installation recommendations
Trockenautomat / Tumble dryer
PT 7186 G

Date 30.10.2009

Page 7

Name DEBOHD

Technical Datasheet



Tumble dryer:
Heating:

PT 7186
Gas (G)

Legend:



Circled, bold-type abbreviations:
Connection required



Abbreviations surrounded by broken circle:
Connection optional or required, depending on model





Optional extras:

UM	Miele plinth	UO 6008 (UO = Open plinth)	mm	305
		Height	mm	680
		Width	mm	679
		UG 6008 (UG = Closed plinth)	mm	305
		Height	mm	692
		Width	mm	685
		Depth	mm	
		US 6008 (US = Plinth with drawer)	mm	320
		Height	mm	692
		Width	mm	685
		Depth	mm	
BS	Concrete plinth	Concrete plinth (min. quality C12/15)	mm	300
		Recommended height	mm	70
		Minimum height	mm	≥700
		Recommended width	mm	≥700
		Recommended depth	mm	≥700
		It must be ensured that the concrete plinth is anchored to the floor!		

Machine connections:

EL	Electrical connection	1. Standard voltage (as supplied) Frequency Rated load Fuse rating Connection cable cross-sectional area Connection cable length Connection cable without plug (supplied as standard)	V Hz kW A mm ² mm	1N AC 220 - 230 50 0.40 – 0.46 1 × 10 3 × 1.0 1800
	Country variations:			
	GB AUS	1. Standard voltage (as supplied) Frequency Rated load Fuse rating Connection cable cross-sectional area Connection cable length Connection cable without plug (supplied as standard)	V Hz kW A mm ² mm	1N AC 230 - 240 50 0.42 – 0.46 1 × 10 3 × 1.0 1800

		<p>Electrical connection must be in accordance with local and national regulations.</p> <p>Plug and socket connection in accordance with IEC/EN 60309 and IEC/EN 60947 recommended to facilitate electrical safety tests.</p> <p>If the machine is connected via a fixed connection, a multi-pole switch must be provided on site to ensure complete isolation. Switches with a contact opening of more than 3 mm should be used. Such switches are, e.g., LS switches, fuses and contactors (IEC/EN 60947).</p> <p>A wall socket or mains isolator must be visible and accessible after installation.</p> <p>A new connection, modification of an existing installation or earth checking, including the determination of suitable fuse rating, may only be carried out by a suitably qualified electrician in accordance with all local and national regulations.</p>		
	Gas connection	<p>Machine connection in accordance with ISO 7-1</p> <p>The stopcock and connection hose are to be provided on site. For a direct gas connection, the connection hose, Miele Mat. no. 4494460, should be used.</p> <p>The alternative connection via a gas safety socket including stopcock and connection hose is to be provided on site.</p> <p>Natural gas Heater rating Connection pressure in accordance with DIN EN 437 See operating and installation instructions.</p> <p>Liquid gas Heater rating Connection pressure in accordance with DIN EN 437 See operating and installation instructions.</p> <p>Note installation instructions for gas-heated Miele tumble dryers.</p> <p>Local gas and plumbing regulations must be observed!</p>	<p>Inch</p> <p>kW</p> <p>kW</p>	<p>½"</p> <p>8.0</p> <p>7.5</p>
	Waste air/gas	<p>Nominal air throughput in vented mode</p> <p>Max. pressure loss</p> <p>Max. exhaust air/gas temperature</p> <p>Connection sleeve on machine (inner diameter)</p> <p>Connection diameter on site (outer diameter)</p> <p>Connection adapter Miele Mat. no. 6595070 (inner diameter 100 mm) for flexible aluminium duct and adapter piece Miele Mat. no. 915051 (outer diameter 110 mm) for connection to normal heat-resistant plastic ducting are supplied as standard.</p> <p>As relative humidity in ducting can be as high as 100%, suitable measures must be taken to prevent a backflow of condensate into the machine.</p> <p>Type B22 gas-burning machine.</p> <p>Waste gas pipework must be pressure-tight.</p> <p>Note installation instructions for gas-heated Miele tumble dryers.</p> <p>Local gas and plumbing regulations must be observed!</p>	<p>m³/h</p> <p>Pa</p> <p>°C</p> <p>mm</p> <p>mm</p>	<p>310</p> <p>440</p> <p>80</p> <p>100</p> <p>100</p>

(ZL)	Air intake	Standard connection: Air intake from installation site Recommended air intake vent cross-sectional area (to prevent draughts in installation site) Sufficient air intake should be available to replace displaced volume of air.	cm ²	237
(B)	Fittings (supplied)	Miele plinth UG/UG 6008 4 × fasteners (to secure machine to plinth) 4 × screws DIN 571 (Ø × length) 4 × rawl plugs (Ø × length) Machine must be bolted to the floor! Fixing materials for floating screed floor to be provided on site	mm mm	8 × 65 12 × 60
		Miele plinth US 6008 4 × fasteners (to secure machine to plinth) 4 × screws DIN 571 (Ø × length) 4 × rawl plugs (Ø × length) Machine must be bolted to the floor! Fixing materials for floating screed floor to be provided on site	mm mm	6 × 50 8 × 40
		On concrete plinth 2 × metal brackets 2 × screws DIN 571 (Ø × length) 2 × rawl plugs (Ø × length) Machine must be bolted to the floor! Fixing materials for floating screed floor to be provided on site	mm mm	6 × 50 8 × 40
Machine data	Machine width Machine depth Machine height Casing width Casing depth Min. access width to installation site Minimum rear wall gap (measured to front of machine) Minimum wall gap (to front edge of machine) With an installation with the minimum gap, additional work may be required when service or repair work is necessary. Net weight Dynamic floor load, max. Static floor load, max. Average heat dissipation (dependent on ambient room temperature and programme selected) Sound pressure level (re 20 mPa), (measured at a distance of 1 m from the machine and at a height of 1.6 m)	mm mm mm mm mm mm mm mm kg N N W dB (A)	700 763 1020 692 690 720 1300 1100 78 1000 Not yet available Not yet available <70	
Installation should only be carried out by authorised fitters in accordance with valid regulations! Observe installation instructions when installing machine! All rights reserved! Dimensions in mm				