

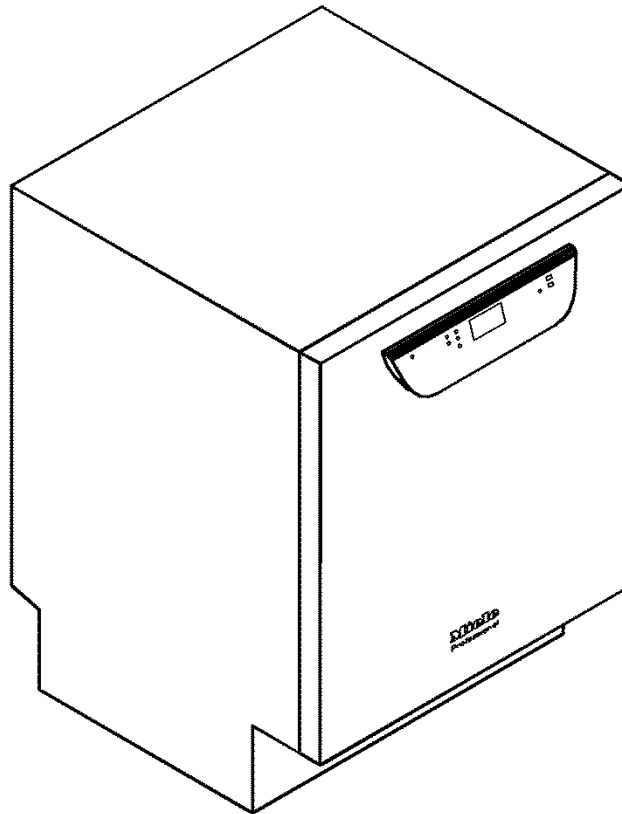
Installationsplan / Installation plan

Installatietekening
Plan d'installation
Pianta di installazione

Plano de instalación
Plano de instalação
Σχέδιο εγκατάστασης

Asennusohje
Installasjonsplan
Installationsplan

PG 8056



Materialnummer	/	Mat. no.	9326170
Änderungsstand	/	Version	01
Änderungsnr.	/	Alteration number	A29196
Datum Zeichnung	/	Drawing Date	01.10.2013
Datum Legende	/	Legend Date	01.10.2013
Freigabe	/	Approval	
		Name:	Leifeld
		Name:	Götza






Legend:

(EL) Circled, bold-type abbreviations:
Connection required

GB

(DS) Abbreviations surrounded by broken circle:
Connection optional or required, depending on model

(EL)	Electrical connection	1. Voltage (standard version) Power rating Fuse rating Connection cable, min. gauge Connection cable length (H05(07)RN-F) without plug		V/Hz kW A mm ² m	3N AC 400/50 8.9 3 × 16 5 × 2.5 Approx. 1.7
		Voltage Power rating Fuse rating Connection cable, min. gauge Length of connection cable (H05(07)RN-F) with plug	Convertible	V/Hz kW A mm ² m	AC 230/50 2.9 16 3 × 1.5 Approx. 2.1
	Variations in the following countries:				
	(B) (N)	2. Voltage (standard version) Power rating Fuse rating Connection cable, min. gauge Connection cable length (H05(07)RN-F) without plug		V/Hz kW A mm ² m	3 AC 230/50 7.1 3 × 20 4 × 2.5 Approx. 1.7
		Voltage Power rating Fuse rating Connection cable, min. gauge Length of connection cable (H05(07)RN-F) with plug	Convertible	V/Hz kW A mm ² m	AC 230/50 2.9 16 3 × 1.5 Approx. 2.1
	(I)	3. Voltage (standard version) Power rating Fuse rating Connection cable, min. gauge Connection cable length (H05(07)RN-F) without plug		V/Hz kW A mm ² m	3N AC 400/50 7.1 3 × 16 5 × 2.5 Approx. 1.7
Voltage Power rating Fuse rating Connection cable, min. gauge Length of connection cable (H05(07)RN-F) with plug		Convertible	V/Hz kW A mm ² m	AC 230/50 2.9 16 3 × 1.5 Approx. 2.1	

	4. Voltage (standard version) Power rating Fuse rating Connection cable, min. gauge Connection cable length (H05(07)RN-F) without plug	Convertible	V/Hz kW A mm ² m	3N AC 400/50 8.9 3 x 15-16 5 x 2.5 Approx. 2.1
	Voltage (standard version) Power rating Fuse rating Connection cable, min. gauge Length of connection cable (H05(07)RN-F) with plug	Convertible	V/Hz kW A mm ² m	AC 230/50 5.9 30-32 3 x 4 Approx. 2.1
	Voltage Power rating Fuse rating Connection cable, min. gauge Length of connection cable (H05(07)RN-F) with plug	Convertible	V/Hz kW A mm ² m	AC 230/50 2.9 13-16 3 x 1.5 Approx. 2.1
	<p>It is always recommended to make electrical connection via a plug and socket so that electrical safety checks, e.g. during repair or service work, can be carried out easily. The socket must be accessible after machine installation. A fixed electrical connection is possible via an on-site main switch providing complete isolation from the mains for all poles. The contact gap must be at least 3 mm. In order to increase safety, the installation of an earth leakage circuit breaker is recommended. If necessary, equipotential bonding with good galvanic contact must be guaranteed in compliance with all applicable local and national installation codes.</p> <p>Protection class IP 21</p>			
	Cold water	Maximum temperature Max. water hardness Minimum flow pressure Minimum flow pressure with extended water intake Maximum pressure Flow rate On-site threaded union in accordance with DIN 44991 (flat sealing) Length of connection hose (included)	°C °dH kPa kPa kPa l/min Inch m	20 70 200 40 1000 7.5 3/4" male thread Approx. 1.7
	A double check valve must be fitted when installed in GB.			
	Hot water	Maximum temperature Max. water hardness Minimum flow pressure Minimum flow pressure with extended water intake Maximum pressure Flow rate On-site threaded union in accordance with DIN 44991 (flat sealing) Length of connection hose (included)	°C °dH kPa kPa kPa l/min Inch m	65 70 200 40 1000 7.5 3/4" male thread Approx. 1.7
	A double check valve must be fitted when installed in GB.			
	Waste water	Drain hoses (int. dia. x wall thickness) Length of drain hose - Machine Max. drain hose extension Max. drain pump head height from base of machine Max. transient flow rate On-site hose sleeve for drain hose (dia. x length)	mm m m m l/min mm	22 x 6 Approx. 1.5 Approx. 4.0 1.0 16 22 x 30
	External dispensing (optional)	Connection of up to 2 dispensers for liquid detergent and rinse aid on rear of machine		
	Machine feet	Height-adjustable Machine foot diameter Machine foot socket	mm mm M	-0/+60 35 8

	Heat dissipation rate to installation site	Heat dissipation through heat radiation Load heat dissipation on removal	kWh/h kWh/h	0.35 0.40
	Machine data	Undercounter height Height incl. lid (optional, kit required) Width Depth Door height Door height with door spacer (TAB) Net weight Floor load in operation Min. access width, incl. transport pallet Min. access depth incl. transport pallet Min. access height, incl. transport pallet	mm mm mm mm mm mm kg N mm mm mm	820 835 598 580 670 720 70 1200 670 740 920
	Installation conditions	Permissible ambient temperature Maximum relative humidity Max. installation above sea level c.f. notes in operating instructions	°C % m	5-40 80 2,000
<p>Installation should only be performed by qualified fitters in accordance with valid regulations, relevant standards and health and safety codes!</p> <p>It is important to comply with installation instructions when installing machines! Only use commercial grade cabinetry in the vicinity of this commercial dishwasher as condensate may otherwise cause damage. All rights reserved! Dimensions in drawings in mm.</p>				

Change no.	Date	Designation:
A20370	2013-04-10	B0 launch
A29196	01.10.2013	SOP revision

