

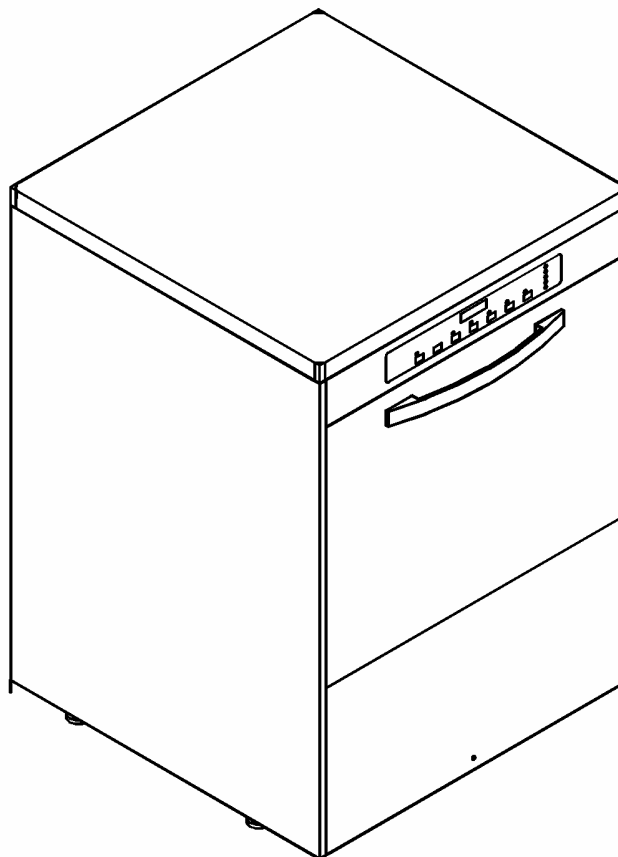
Installationsplan / Installation plan

Installatietekening
Plan d'installation
Pianta di installazione

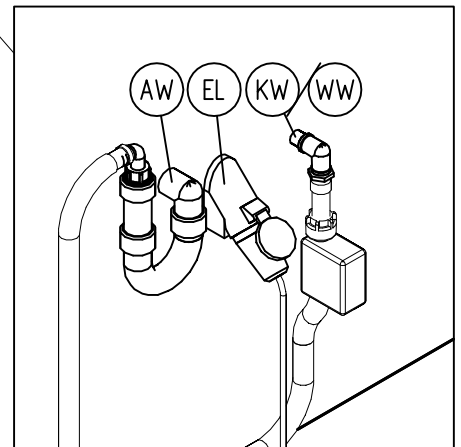
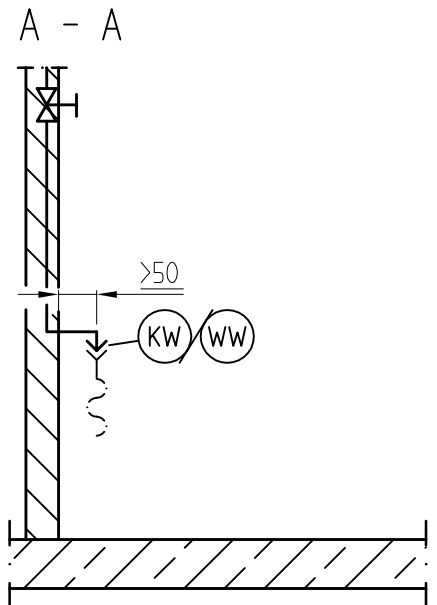
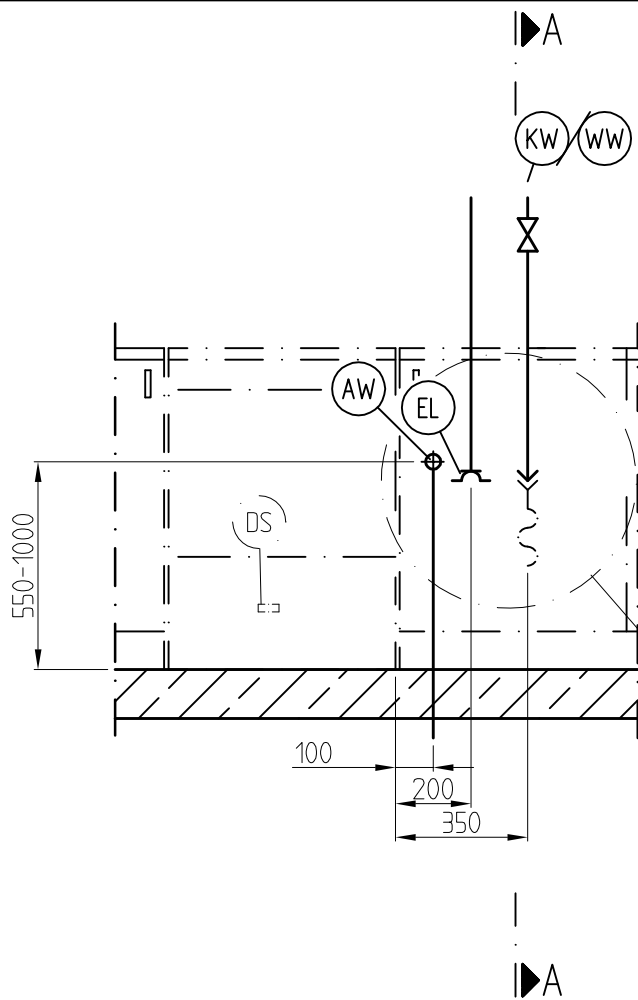
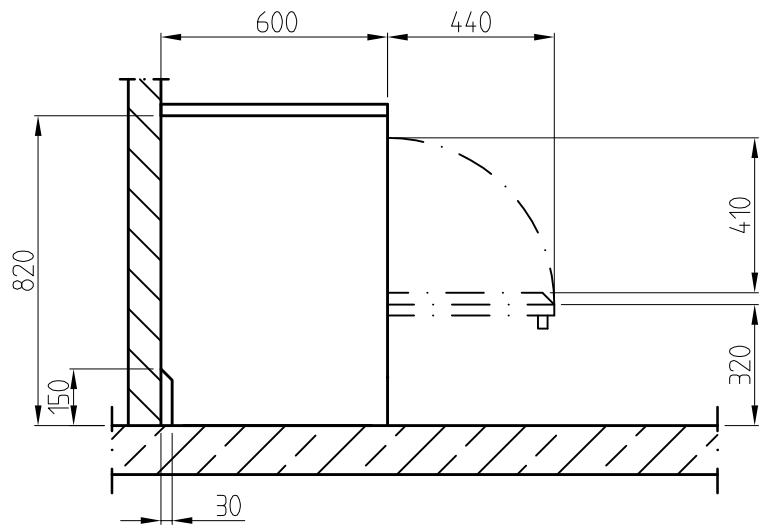
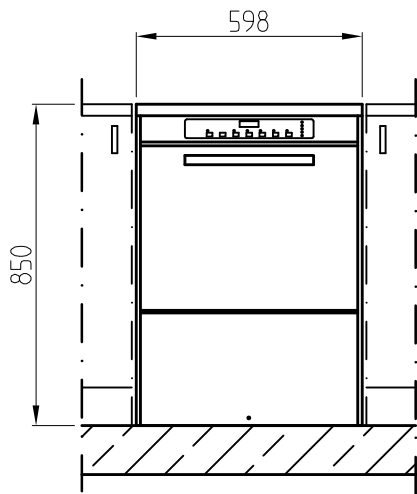
Plano de instalación
Plano de instalação
Σχέδιο εγκατάστασης

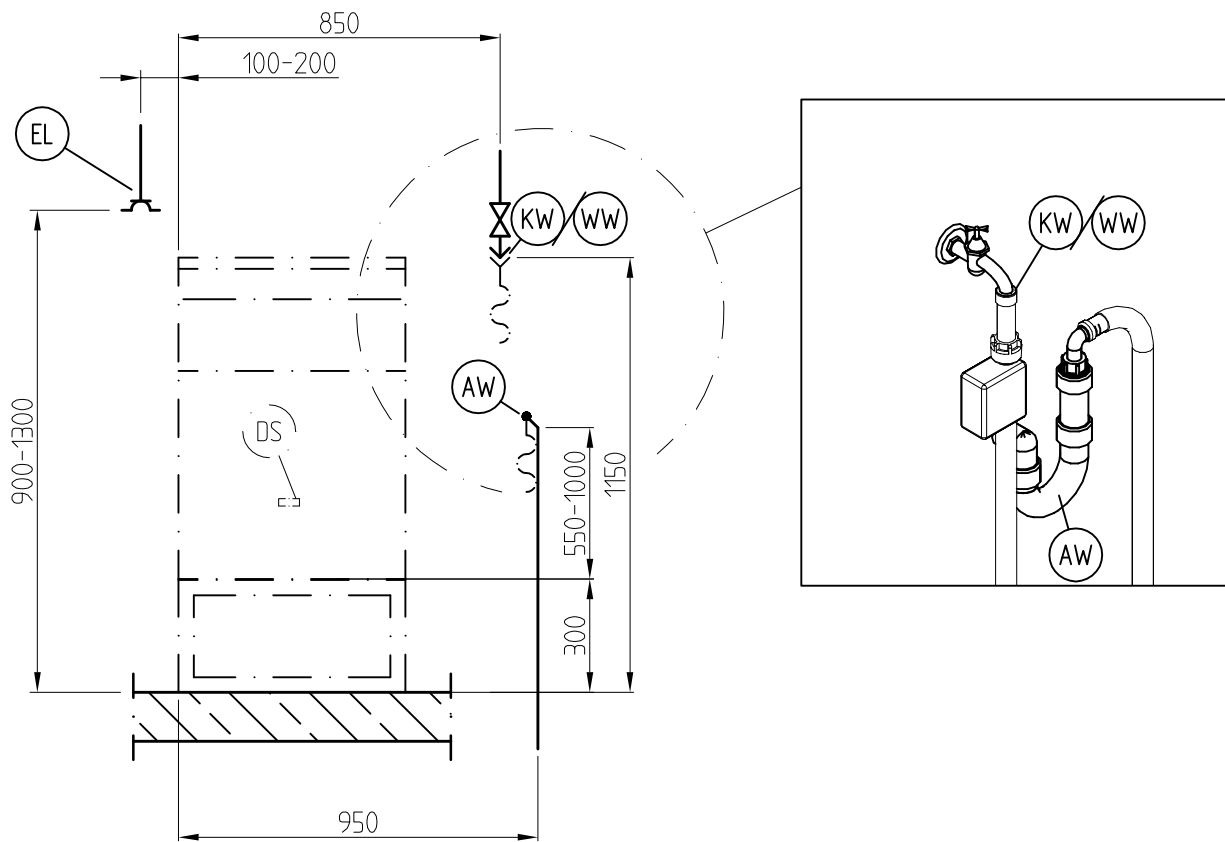
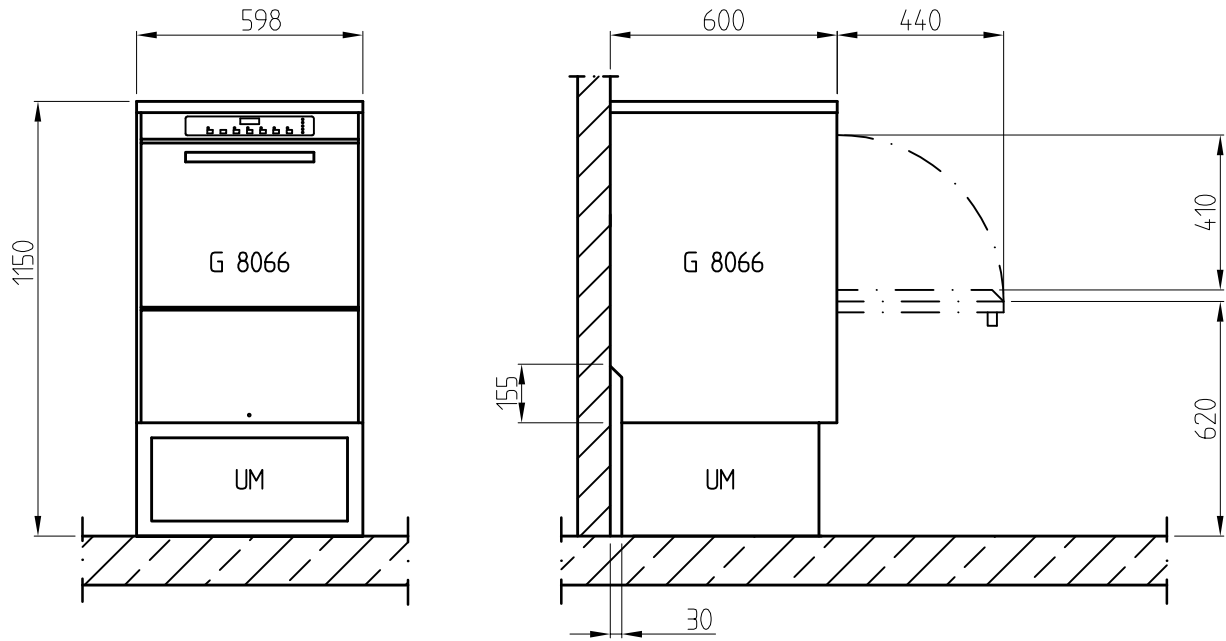
Asennusohje
Installasjonsplan
Installationsplan

G 8066



Materialnummer	/	Mat.-no.:	6056891
Änderungsstand	/	Version:	00
Datum Zeichnung	/	Drawing date:	01.04.2008
Datum Legende	/	Legend date:	01.04.2008





Technical datasheet



Commercial dishwasher

G 8066

Legend:



Circled, bold-type abbreviations:
Connection required






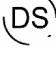
Abbreviations surrounded by broken circle:
Connection optional or required, depending on model

Optional extras:

UM	Miele plinth	UO/UG 30-60 Height/Width/Depth	mm	300/600/600
		UO/UG 52-60 Height/Width/Depth	mm	520/600/600

Machine connections:

EL	Electrical connection	1. Voltage (as supplied)		V/Hz	3N AC 400/50		
		Rated load		kW	10.5		
	Fuse rating		A	3 x 16			
	Connection cable, min. cross-section		mm ²	5 x 2.5			
	Length of supply lead (H05(07)RN-F) without plug		m	1.5			
	Country variations:						
B	2. Voltage (as supplied)	Rated load		V/Hz	3N AC 400/50		
		Fuse rating		kW	7.5		
	Connection cable, min. cross-section		A	3 x 16			
	Length of supply lead (H05(07)RN-F) without plug		mm ²	5 x 2.5			
Voltage	Rated load	Fuse rating	Connection cable, min. cross-section	Length of supply lead (H05(07)RN-F) without plug	convertible	V/Hz	3AC 230/50
						kW	7.5
N	3. Voltage (as supplied)	Rated load		A	3 x 20		
		Fuse rating		mm ²	5 x 2.5		
Voltage	Rated load	Fuse rating	Connection cable, min. cross-section	Length of supply lead (H05(07)RN-F) without plug	convertible	V/Hz	3N AC 400/50
						kW	7.5
A	3 x 20	mm ²	5 x 2.5	m	1.5	A	3 x 16
						mm ²	5 x 2.5
m	1.5	m	1.5	m	1.5	m	1.5

		<p>Plug and socket connection recommended to facilitate electrical safety tests. Socket must be accessible after installation.</p> <p>On hard-wired machines, a multi-pole circuit breaker with a minimum contact gap of 3 mm must be provided on site.</p> <p>The use of an earth leakage circuit breaker (ELCB) is strongly recommended.</p> <p>If necessary, equipotential bonding with good galvanic contact must be provided in accordance with all appropriate national and local regulations.</p>		
 	<p>Cold or hot water Hot water</p>	<p>Max. temperature Max. water hardness G 8066 G 8066 WES (with water softener) Min. flow pressure Max. pressure Throughput Connection thread (on site)</p> <p>Length of connection hose (supplied) DVGW approved Direct connection without non-return valve permissible. Water connection Australia: To prevent back-syphonage, the water connection must be via an approved Dual-Check-Valve supplied with the machine.</p>	<p>°C °dH °dH kPa kPa l/min Inch mm</p>	<p>65 4 30 250 1000 4.1 ¾ external (USA: 11.5 NH) 1500</p>
	Waste water	<p>Drain hose (Int. dia. × wall thickness × l) Max. head height (measured from floor) Max. head height (measured from floor) Max. transient throughput Hose sleeve for drain hose to be provided on site (ext. dia. × l)</p>	<p>mm m m l/min mm</p>	<p>22 x 6 x 1500 0.55 1.0 50 22 x 30</p>
	External dispensing (optional)	Dispenser connection (DOS G 60 or C 60) at rear of machine		
	Machine data	<p>Height incl. lid (lid not supplied) Building-under height Width Depth Net weight Dynamic floor load Min. transport width incl. pallet Min. transport height incl. pallet</p>	<p>mm mm mm mm kg N mm mm</p>	<p>850 820 598 600 70 1500 700 950</p>
<p>Read fitting instructions, Part no. 1358331/01, on how to secure unit. Installation should only be carried out by authorised fitters in accordance with valid regulations! Only cabinetry designed for commercial use should be used in the vicinity of a washer-disinfector in order to reduce the risk of damage caused by steam. Observe installation instructions when installing machine! All rights reserved! Measurements in mm</p>				